



PRODUCT NAME:
'GLOBAL FISHER' Series
 PRE RINSE - STANDARD MODEL
 EXPOSED WALL MOUNT TAP - ADJUSTABLE



PART NUMBER:
 GF152100

DESCRIPTION:
 "GLOBAL FISHER" PRE RINSE - STANDARD MODEL
 S/S EXPOSED ADJUSTABLE WALL TAP w/- 360
 DEGREE SWIVEL CHECK STEMS JUMPER VALVES.

TECHNICAL INFORMATION:
 - IDEAL WORKING PRESSURE 60 - 100 PSI
 - Min. EFFECTIVE PRESSURE 45+ PSI
 - MAX. PRESSURE = 200 PSI STATIC (in short periods)
 - WORKING TEMPERATURE 5 C - 65 C
 - SHIPPING WEIGHT 5.0KGS (approx)
 - THREADED MECHANICAL JOINTS

SUPPLIED WITH:
 - CP SPRAY GUN (3.5LPM) WELS 6 STAR
 - S/S ARMOURFLEX HOSE
 - CP SPRING GUARD & HOOK
 - S/S 16" RISER
 - CP WALL BRACKET
 - S/S EXPOSED ADJUSTABLE WALL TAP BODY

FEATURES:

TAP BODY:
 - S/S BODY with S/S ADJUSTING OFFSET FITTINGS
 - S/S INTERNAL WORKINGS
 - CP LEVER HANDLES
 - S/S 360 DEGREE SWIVEL SPRING CHECK STEMS JUMPER VALVES

ARMOURFLEX HOSE:
 - 915MM LONG (36 INCHES)
 - S/S ARMOURFLEX EXTERNAL JACKET w/- S/S END FITTINGS
 - 3 PLY FIBRE REINFORCED INTERNAL RUBBER HOSE
 - HIGH QUALITY, HARD WEARING AND ROBUST HOSE.

SPRAY VALVE & HANDLE:
 - CHROME PLATED BRASS with INSULATED BLACK HANDLE
 - FLAT CHROME PLATED METAL SQUEEZE LEVER with INSULATION COVERING & FLAT WIDE STOPPER.
 - SQUEEZE LEVER IS CONSTANT IN MAINTAINING OF IT'S POSITION.
 - QUICK RELEASE ON/OFF CLIP ON SQUEEZE LEVER FOR SAFETY.
 - 15 DEGREE FLAT HIGH PRESSURE SPRAY FOR BEST CLEANING.

ADDITIONAL SPRAY VALVE INFO
 - LOW ENERGY CONSUMPTION = **HIGH \$ SAVINGS**
 - LOW WATER CONSUMPTION = **HIGH \$ SAVINGS**
 - ENGINEERED TO OUT PERFORM MOST OTHER BRANDS
 - EXTREMELY ROBUST - ENGINEERED TO LAST
 - INTERCHANGEABLE WITH MOST SIMILAR BRANDS AT HANDLE
 (fits into 3/4"unf female handle)

WALL BRACKET:
 - CHROME PLATED ROD ADJUSTS FROM 50mm - 300mm
 - OPTIONAL S/S ALL THREAD - ADJUSTS 50mm - 150mm
 - 3 SCREW HOLE BACK PLATE FOR EASY FIXING TO STUDS

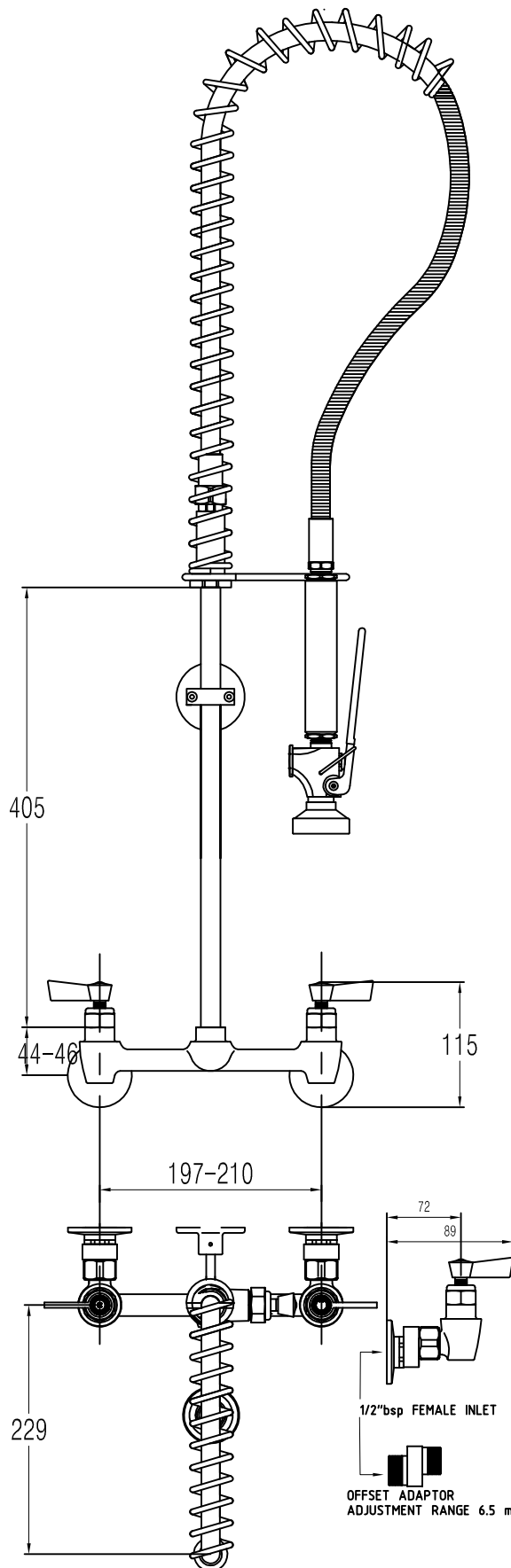
WELS
 SPRAY = 6 STAR, 3.5lpm

WATERMARK & WELS:

Global Tapware Pty Ltd is a Watermarked, level 1, Company.
 All relevant products & components are WELS registered.

Special Notice:

- 1 - We reserve the right to make changes to products and drawings without notice.
- 2 - All drawings & Documents are subject to copyright ©.
- 3 - Seek written consent by us to reprint / use for other than specification work.



'GLOBAL FISHER' Series PT NO. - GF152100
 PRE RINSE - STANDARD - EXPOSED ADJUST WALL TAP