



PRODUCT NAME:
'GLOBAL Q' Series - 1/4 TURNS
 EXPOSED ADJUSTABLE HOB MOUNT TAP
 w/- STANDARD SWIVEL SPOUT

'Australian Designed
 & Made'

PART NUMBER:
 GQ05S3012 + OTHER SIZES (see chart below left)



DESCRIPTION:
 C.P. EXPOSED ADJUSTABLE HOB TAP BODY
 w/- STANDARD SWIVEL SPOUT - 1/4 TURN
 RAPID RISING SPINDLE w/- "HYDROSEAL"
 JUMPER VALVES & SINGLE PIN HANDLES

TECHNICAL INFORMATION:
 - IDEAL WORKING PRESSURE 65 - 100 PSI
 - MAXIMUM PRESSURE = 200 PSI STATIC
 (in short periods)
 - WORKING TEMPERATURE 5 C - 65 C
 - SHIPPING WEIGHT ____ KGS (approx)
 - SCREWED MECHANICAL JOINTS

SUPPLIED WITH:
 - STANDARD SWIVEL SPOUT - (see chart below left for more spout sizes)
 - ADJUSTABLE C.P. BREACH PIECE

FEATURES:

TAP BODY:
 - Chrome Plated 'DZR' Brass DUAL HOB TAP BODY
 - 'DZR' Brass INTERNAL WORKINGS
 - SINGLE PIN LEVER HANDLES
 - S/S BRAIDED INLET HOSE (500MM LONG)
 - "HydrOseal" brand JUMPER VALVES
 - 1/4 TURN RAPID RISING SPINDLE (not ceramic disc's)
 - S/S or 'DR' Brass END FITTINGS ON INLET HOSE

WELS
 - ____ STAR, ____ lpm

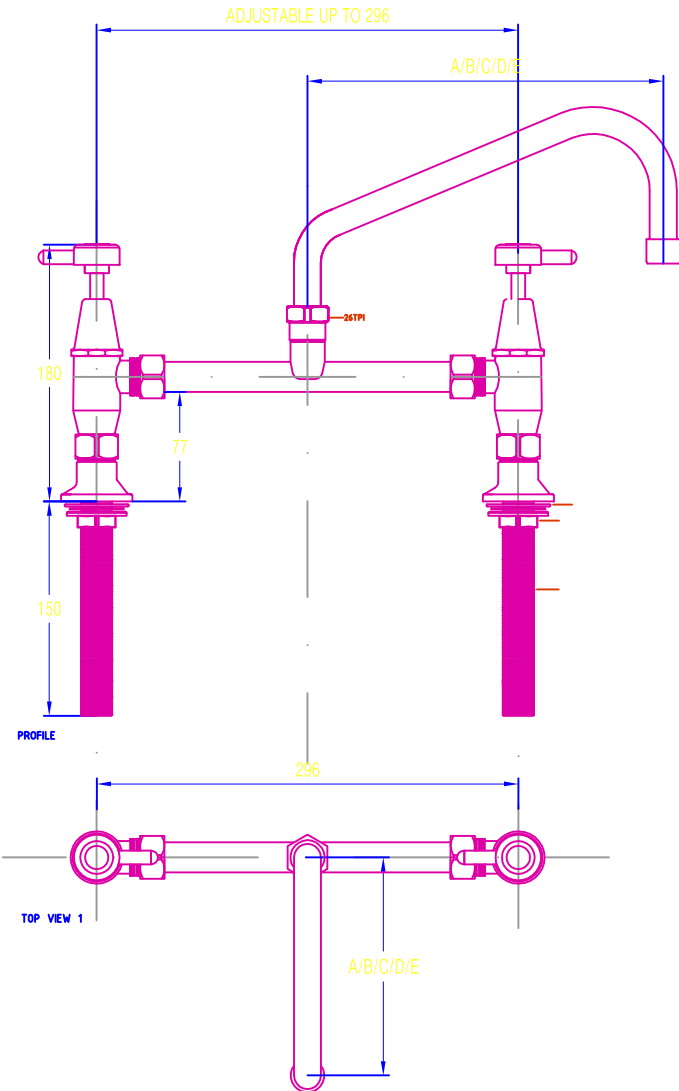
WATERMARK & WELS:

Global Tapware Pty Ltd is a Watermarked, Level 1, Company.
 All relevant products & components are WELS registered.

Special Notice:

- 1 - We reserve the right to make changes to products and drawings without notice.
- 2 - All drawings & Documents are subject to copyright ©.
- 3 - Seek written consent by us to reprint / use for other than specification work.

'GLOBAL Q' SERIES - 1/4 TURNS - PT NO.GQ05S3012 +
 EXPOSED Adj. HOB MOUNT TAP w/- STANDARD SWIVEL SPOUT



REF	MODEL	Part Nbr.	LENGTH IN MM
A	6" MODEL	GQ05S3006	179mm
B	8" MODEL	GQ05S3008	227mm
C	10" MODEL	GQ05S3010	276mm
D	12" MODEL	GQ05S3012	326mm
E	14" MODEL	GQ05S3014	376mm