



PRODUCT NAME:
'GLOBAL EC' & 'Q' SERIES
 C.P. HOB MOUNT ONLY with STANDARD SWIVEL SPOUT

PART NUMBER:
 GEC06S3006 +

DESCRIPTION:
 HOB MOUNT BODY w/- STANDARD SWIVEL SPOUT



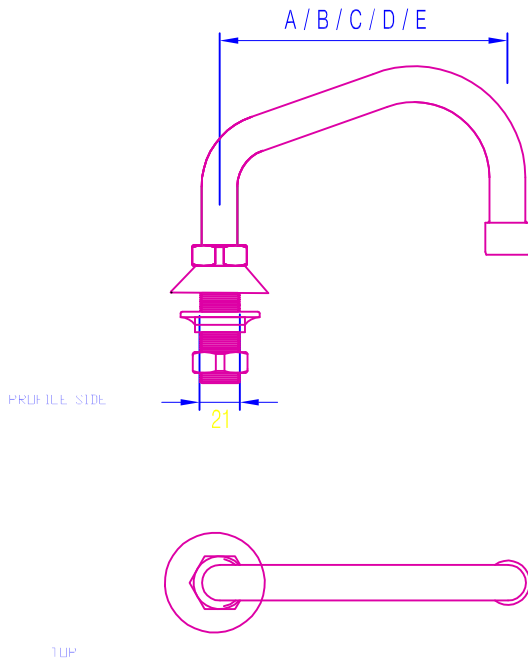
TECHNICAL INFORMATION:
 - IDEAL WORKING PRESSURE 65 - 100 PSI
 - MAXIMUM PRESSURE = 200 PSI STATIC (in short periods)
 - WORKING TEMPERATURE 5 C - 65 C
 - SHIPPING WEIGHT ____ KGS (approx)
 - SCREWED MECHANICAL JOINTS

SUPPLIED WITH:

- GEC06S3006 + :-
- C.P. HOB MOUNT ONLY WITH SWIVEL OUTLET
- C.P. SWIVEL STANDARD SPOUT - size as per chart.
- C.P. SWIVEL GOOSE NECK SPOUTS AVAILABLE - 6" & 12"

FEATURES:

TAP BODY:
 - C.P. BRASS



REF	MODEL	LENGTH inch /mm	C.P. HOB with S/S SPOUT
A	6" MODEL	6" / 179mm	GEC06S3006
B	8" MODEL	8" / 227mm	GEC06S3008
C	10" MODEL	10" / 276mm	GEC06S3010
D	12" MODEL	12" / 326mm	GEC06S3012
E	14" MODEL	14" / 376mm	GEC06S3014

WATERMARK & WELS:

Global Tapware Pty Ltd is a Watermarked, level 1, Company.
 All relevant products & components are WELS registered.

Special Notice:

- 1 - We reserve the right to make changes to products and drawings without notice.
- 2 - All drawings & documents are subject to copyright (c).
- 3 - Seek written consent by us to reprint / use other than in specification work.

GLOBAL EC' & 'Q' SERIES PT NO.GEC06S3006 +
 HOB MOUNT with STANDARD SWIVEL SPOUT