



PRODUCT NAME:
'GLOBAL Q' SERIES - 1/4 TURNS
 SINGLE WALL MOUNT TAP w/- STANDARD SWIVEL SPOUT

'Australian Designed & Made'

PART NUMBER:
 GQ11S3006 +

DESCRIPTION:
 GLOBAL Q SINGLE HOB TAP BODY w/- STANDARD SWIVEL SPOUT w/- QUARTER TURN 'HydrOseal' JUMPER VALVE & SINGLE PIN HANDLE.



TECHNICAL INFORMATION:
 - IDEAL WORKING PRESSURE 65 - 100 PSI
 - MAXIMUM PRESSURE = 200 PSI STATIC (in short periods)
 - WORKING TEMPERATURE 5 C - 65 C
 - SHIPPING WEIGHT ___ KGS (approx)
 - SCREWED MECHANICAL JOINTS

SUPPLIED WITH:

- WALL ELBOW WITH 1/2" INLET.
- STANDARD SWIVEL SPOUT - you choice the size as per below chart

FEATURES:

TAP BODY:

- Chrome Plated 'DZR' Brass DUAL HOB TAP BODY
- 'DZR' Brass INTERNAL WORKINGS
- SINGLE PIN LEVER HANDLES
- "HydrOseal" brand JUMPER VALVES
- 1/4 TURN RAPID RISING SPINDLE (not ceramic disc's)

WELS

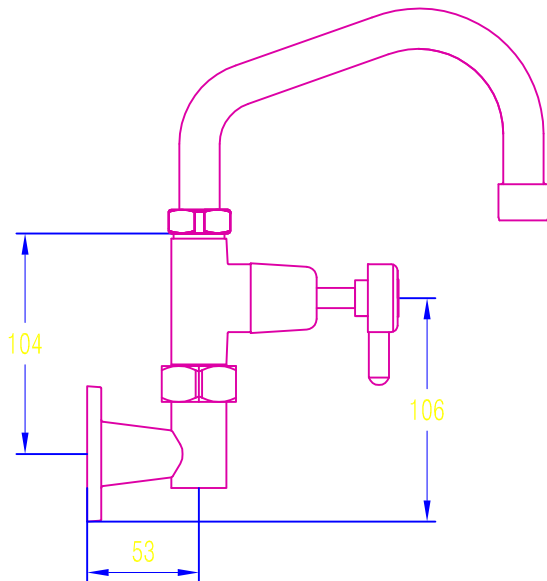
- 3 STAR, 9 lpm

WATERMARK & WELS:

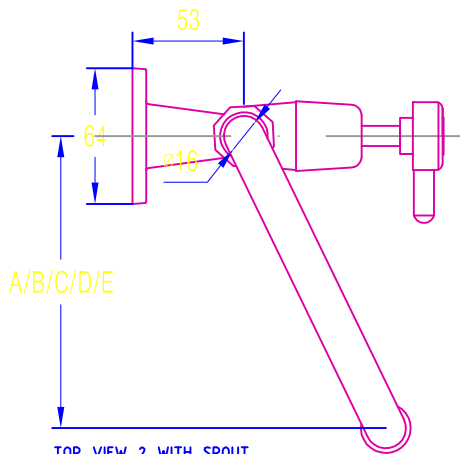
Global Tapware Pty Ltd is a Watermarked, level 1, Company. All relevant products & components are WELS registered.

Special Notice:

- 1 - We reserve the right to make changes to products and drawings without notice.
- 2 - All drawings & Documents are subject to copyright ©.
- 3 - Seek written consent by us to reprint / use for other than specification work.



SIDE PROFILE



TOP VIEW 2 WITH SPOUT

REF	MODEL	LENGTH mm	Part Nbr.
A	6" MODEL	179mm	GQ11S3006
B	8" MODEL	227mm	GQ11S3008
C	10" MODEL	276mm	GQ11S3010
D	12" MODEL	326mm	GQ11S3012
E	14" MODEL	376mm	GQ11S3014

'GLOBAL Q' SERIES -1/4 TURNS- PT No. GQ11S3006 + SINGLE WALL TAP w/- STANDARD SWIVEL SPOUT