

PART NUMBER:
 GQ13S3006 + (Spout Size & Pt No. -see chart below left)

DESCRIPTION:
 'GLOBAL Q' WALL STOPS TAPWARE w/-
 STANDARD SPOUT & QUARTER TURN,
 JUMPER VALVES, SINGLE PIN HANDLES.
 (Spout size as required)

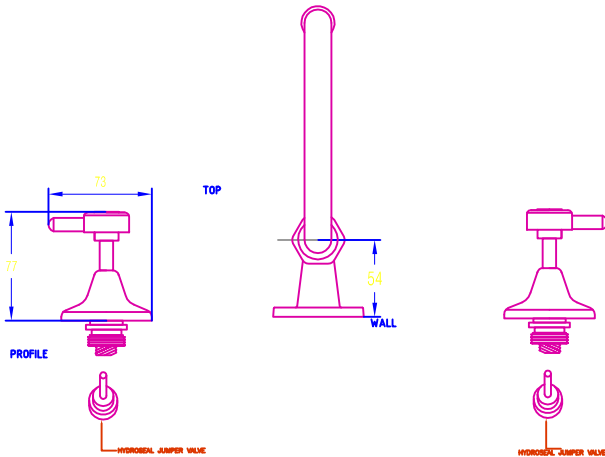
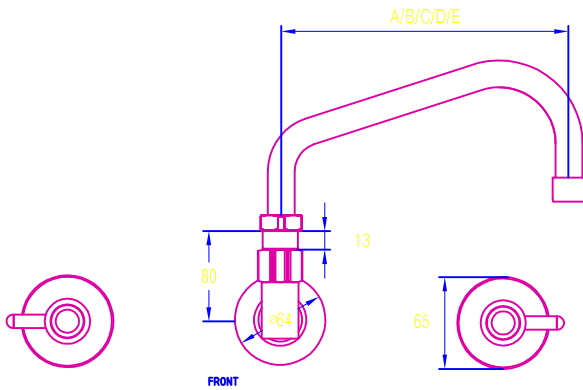


TECHNICAL INFORMATION:
 - IDEAL WORKING PRESSURE 65 - 100 PSI
 - MAXIMUM PRESSURE = 200 PSI STATIC
 (in short periods)
 - WORKING TEMPERATURE 5 C - 65 C
 - SHIPPING WEIGHT 5.0KGS (approx)
 - SCREWED MECHANICAL JOINTS

SUPPLIED WITH:
 - 1 PAIR OF WALL STOPS
 - STANDARD SWIVEL SPOUT
 - Spout Size to your choice - see chart blow to left

FEATURES:
 - ALL PARTS CHROME PLATED
 - USES "RAPID ACTION" QUARTER TURN 'HydOseal' JUMPER
 VALVES. (Rapid Action = a mechanical action, fast rising spindle).
 - SINGLE PIN HANDLES ARE TIGHT FITTING TO SPINDLE SPLINES
 TO AVOID COMING LOOSE.

WELS
 - 3 STAR, 9 lpm



REF	MODEL	LENGTH mm	Part Nbr.
A	6" MODEL	179mm	GQ13S3006
B	8" MODEL	227mm	GQ13S3008
C	10" MODEL	276mm	GQ13S3010
D	12" MODEL	326mm	GQ13S3012
E	14" MODEL	376mm	GQ13S3014

WATERMARK & WELS:

Global Tapware Pty Ltd is a Watermarked, level 1, Company.
 All relevant products & components are WELS registered.

Special Notice:

- 1 - We reserve the right to make changes to products and drawings without notice.
- 2 - All drawings & documents are subject to copyright (c).
- 3 - Seek written consent by us to reprint / use other than in specification work.

GLOBAL Q' SERIES - 1/4 TURNS - PT No.GQ13S3006 +
WALL STOPS TAPWARE + STANDARD SWIVEL SPOUT