

**PART NUMBER:**  
 GQ14S3006 +

**DESCRIPTION:**  
 'GLOBAL Q' EXPOSED ADJUSTABLE STRAIGHT WALL TAP w/- STANDARD SPOUT & QUARTER TURN R/A JUMPER VALVES & SINGLE PIN HANDLES. (Spout size as required)

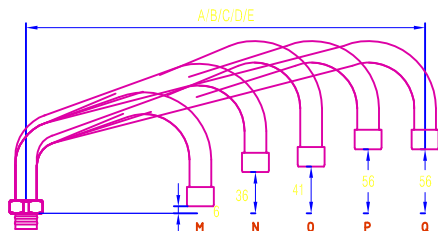
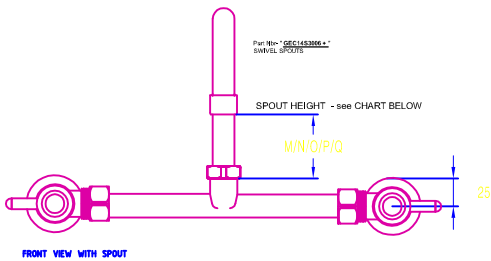
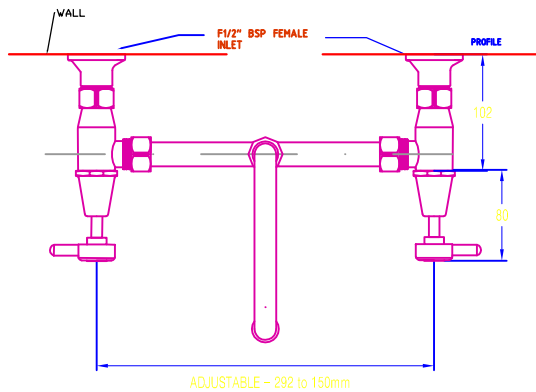


**TECHNICAL INFORMATION:**  
 - IDEAL WORKING PRESSURE 65 - 100 PSI  
 - MAXIMUM PRESSURE = 200 PSI STATIC (in short periods)  
 - WORKING TEMPERATURE 5 C - 65 C  
 - SHIPPING WEIGHT \_\_\_ KGS (approx)  
 - SCREWED MECHANICAL JOINTS

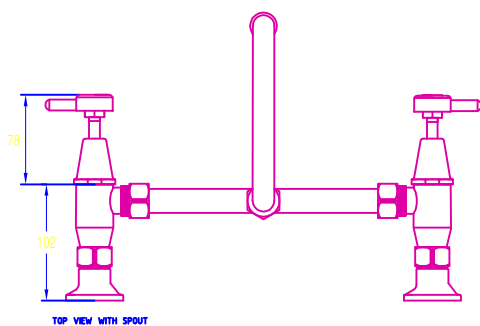
**SUPPLIED WITH:**  
 - WALL MOUNTED - STRAIGHT  
 - ADJUSTABLE BREACH PIECE.  
 - STANDARD SWIVEL SPOUT - size to your choice - see chart blow to left

**FEATURES:**  
 - ALL PARTS CHROME PLATED  
 - USES "RAPID ACTION" QUARTER TURN 'HydOseal' JUMPER VALVES. (Rapid Action = a mechanical action, fast rising spindle).  
 - ADJUSTABLE BRASS & CHROME BREACH PIECE.  
 - WALL MOUNTS ARE SEPERATE FROM ACTUAL TAP BODY ALLOWING EASY ASSEMBLY.  
 - SINGLE PIN HANDLES ARE TIGHT FITTING TO SPINDLE SPLINES TO AVOID COMING LOOSE.

**WELS**  
 - 3 STAR, 9 lpm



| REF | LENGTH IN MM | PART NUMBER | SPOUT HEIGHT |
|-----|--------------|-------------|--------------|
| M   | 6" / 179mm   | GQ14S3006   | 60MM         |
| N   | 8" / 227mm   | GQ14S3008   | 36MM         |
| O   | 10" / 276mm  | GQ14S3010   | 41MM         |
| P   | 12" / 326mm  | GQ14S3012   | 56MM         |
| Q   | 14" / 376mm  | GQ14S3014   | 56MM         |



**WATERMARK & WELS:**

Global Tapware Pty Ltd is a Watermarked, level 1, Company. All relevant products & components are WELS registered.

**Special Notice:**

- 1 - We reserve the right to make changes to products and drawings without notice.
- 2 - All drawings & documents are subject to copyright (c).
- 3 - Seek written consent by us to reprint / use other than in specification work.

**GLOBAL Q' SERIES - 1/4 TURNS - PT No.GQ14S3006 + EXPOSED ADJ. STRAIGHT WALL TAP + STANDARD SWIVEL SPOUT**