

“GLOBAL FISHER” – ‘STAINLESS RANGE’ - Tapware

Made in Australia By Global Tapware Pty Ltd

www.globaltapware.com.au

1300 85 25 15

These fully Stainless-Steel Tapware are designed for applications that require something that is **Reliable** but **Tough** & more **Robust** than most other commercial tapware on the market. With our S/S Taps there is over 10 years of consistent reliability. They are very suitable for all types of Internal & External Environments such as **R.O. (Reverse Osmosis** water) as the material will not fail unlike Brass taps. They are suitable for a range of environmental considerations such as. – **Medical, Laboratories, Industrial areas**. Please be aware these are 304SS and do not handle Salt Water Area as readily as 316 or marine grade S/S.

They are made from 304 S/S and use EPDM rubber on the Inlet Hoses for the Dual Taps with the rubber seats made from NBR rubber. All materials are suitable for RO water.

Technical Information: -

Safe Constant Working Temperature range is:

4 – 65d C with occasional peaks up to 85d C

Safe Operational Working Pressure range is up to:

500kpa (as per National Plumbing Code) with occasional Max. 1379 kpa

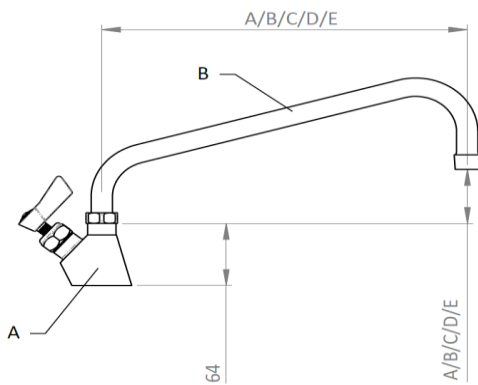


Only one (1) size Paddle Lever/s are available with all above Stainless Taps & Fisher Pre-Rinse.

Ask us for prices and code.

Single Hob / Deck Tap - Non-Mixing

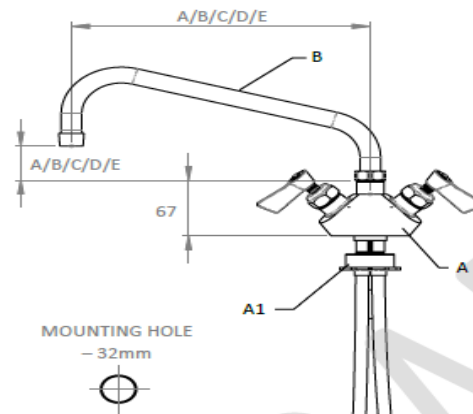
Pt. No. -**GS02G3012-SS** (12" Spout w/- others avail).



25mm Bench Hole

Dual Hob / Deck Tap - Mixing

Pt. No. -**GS03G3012-SS** (12" Spout w/- others avail).



32mm Bench Hole

STANDARD SPOUTS Dimensions		
REF	LENGTH IN/mm	Height to Aerator
A	6"/153mm	6mm
B	8"/203mm	36mm
C	10"/254mm	41mm
D	12"/300mm	56mm
E	14"/356mm	56mm

We reserve the right to change, modify, alter products & drawings as when required without notice.

"GLOBAL FISHER" – 'STAINLESS RANGE' - Tapware

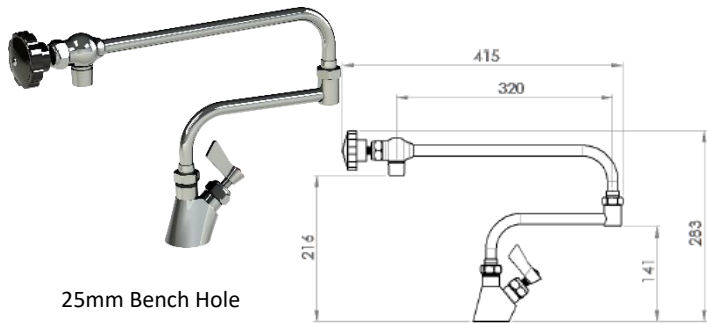
Made in Australia By Global Tapware Pty Ltd

www.globaltapware.com.au

1300 85 25 15

Single Hob / Deck Tap w/- Double Swivel Spout with 'End Tap' - Non-Mixing

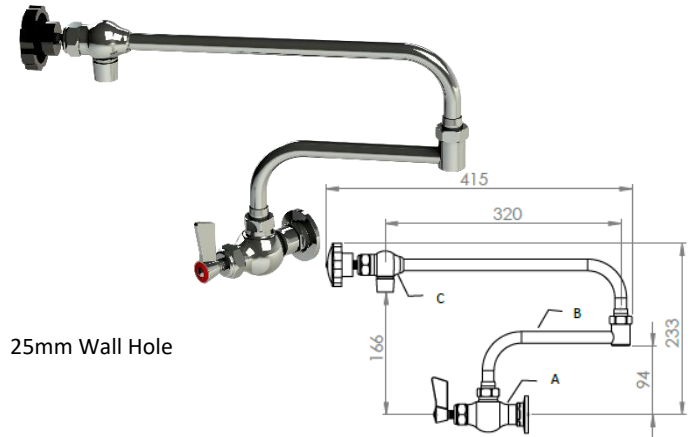
Pt. No. -GS02G3518-SS (18" Double Spout).



25mm Bench Hole

Single Wall Tap w/- Double Swivel Spout with 'End Tap' - Non-Mixing

Pt. No. -GS11G3518-SS (18" Double Spout).



25mm Wall Hole

Exposed Wall Tap- adjustable 197 to 210 - Mixing

Pt. No. -GS15G3006-SS (12" Spout w/- others avail).



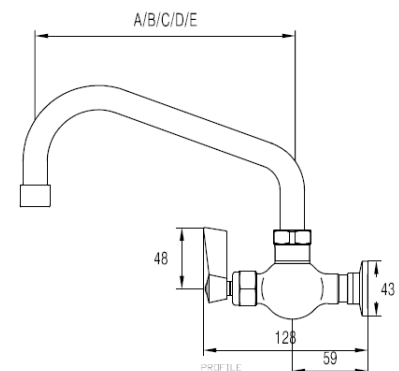
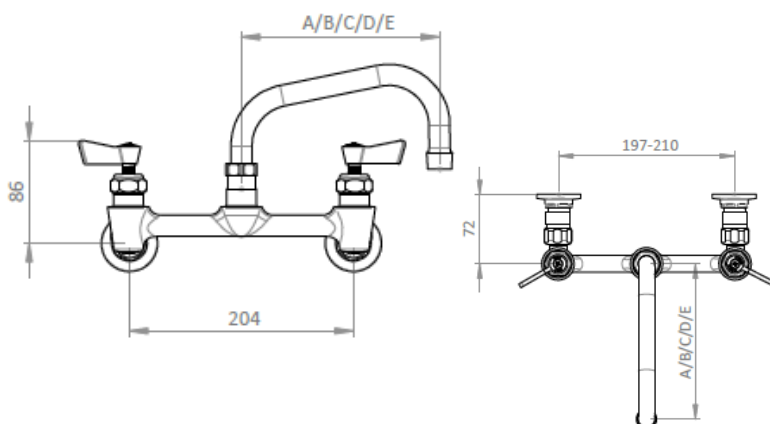
25mm Wall Holes

Single Wall Tap – Non Mixing

Pt. No. -GS11G3012-SS



25mm Wall Hole



STANDARD SPOUTS Dimensions			
REF	LENGTH	IN/mm	Height to Aerator
A	6"	153mm	6mm
B	8"	203mm	36mm
C	10"	254mm	41mm
D	12"	300mm	56mm
E	14"	356mm	56mm