



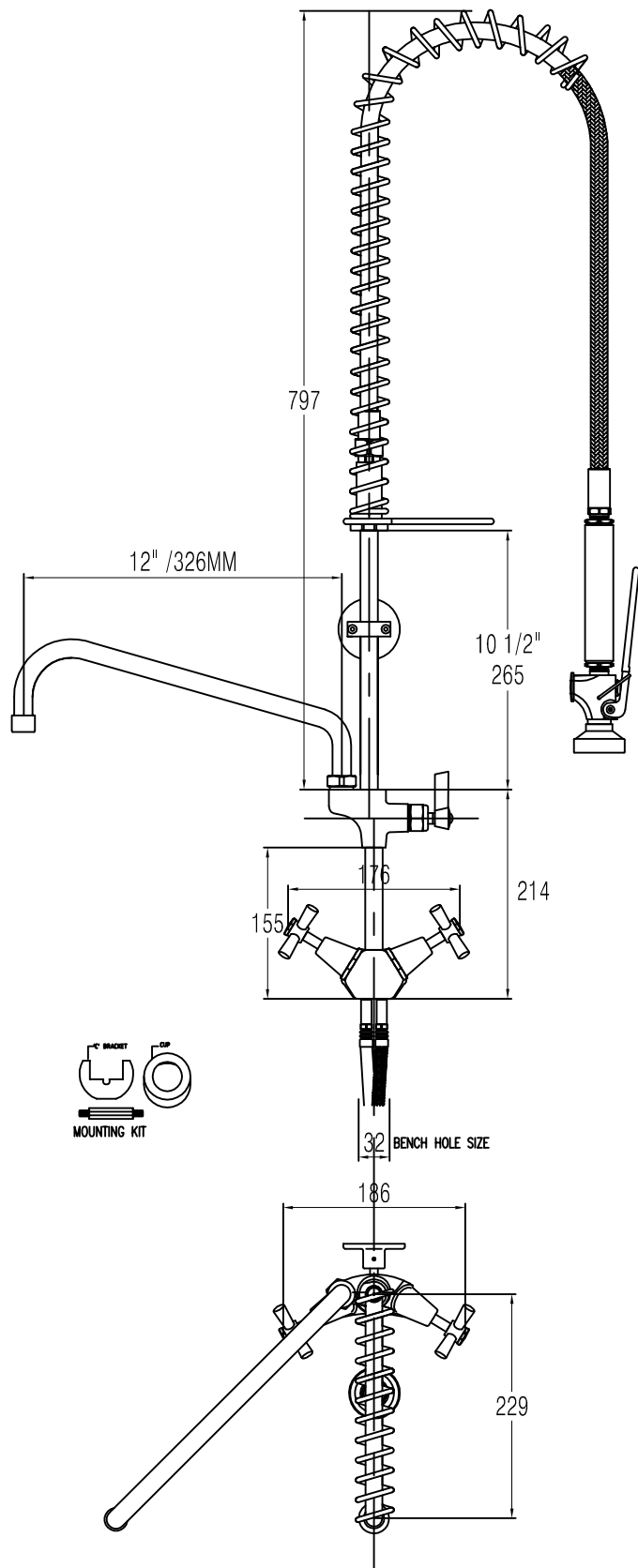
**PRODUCT NAME:**  
**'GLOBAL RINSE MAID®' Series**  
 PRE RINSE + 12" Add-On SPOUT  
 DUAL HOB MOUNT TAP

**'Australian Designed & Made'**

**PART NUMBER:**  
 GRM032512

**DESCRIPTION:**  
 Global Rinse Maid®  
 PRE RINSE + 12" Add-On Spout Model  
 C.P. Dual Hob Tap Body with Easy Clean  
 Handles & "Doust" Jumper Valves.

**TECHNICAL INFORMATION:**  
 - IDEAL WORKING PRESSURE 65 - 100 PSI  
 - MAXIMUM PRESSURE = 200 PSI STATIC  
 (in short periods)  
 - WORKING TEMPERATURE 5 C - 65 C  
 - SHIPPING WEIGHT 5.0KGS (approx)  
 - THREADED MECHANICAL JOINTS



**SUPPLIED WITH:**

- CP SPRAY GUN (3.5LPM) WELS 6 STAR
- S/S BRAIDED HOSE WITH PLASTIC COATING
- CP HOOK & SPRING GUARD
- CP 10 1/2" RISER ABOVE Add-On Pot Filler
- CP WALL BRACKET
- CP ADD-ON POT FILLER w/- 12" C.P. SPOUT
- CP DUAL HOB TAP BODY - w/- Easy Clean Handles
- S/S INLET HOSES AND FITTINGS - 500mm Long to suit deep bowls
- MOUNTING KIT AND FOOD GRADE SILICONE MAT

**FEATURES:**

**TAP BODY:**

- CP 'DZR' BRASS BODY
- BRASS INTERNAL WORKINGS
- EASY CLEAN HANDLES
- S/S BRAIDED INLET HOSE 500mm Long to suit deep bowls
- S/S or BRASS END FITTINGS ON INLET HOSE
- "Doust" JUMPER VALVES - ( MORE RELIABLE, LESS WEAR.)

**PRE RINSE HOSE:**

- 12mm S/S BRAIDED / PLASTIC COATED - 900mm Long (36 INCHES)
- 1/2" Female SWIVEL END FITTINGS

**WALL BRACKET:**

- ADJUSTS FROM 50mm TO 300mm
- 3 SCREW HOLE BACK PLATE FOR EASY FIXING TO STUDS

**SPRAY VALVE & HANDLE:**

- CHROME PLATED BRASS
- INSULATED BLACK HANDLE
- FLAT CHROME PLATED METAL SQUEEZE LEVER WITH INSULATION COVERING & FLAT WIDE STOPPER.
- SQUEEZE LEVER IS CONSTANT IN MAINTAINING IT'S POSITION.
- QUICK RELEASE ON/OFF CLIP ON SQUEEZE LEVER = good OH&S
- 15 DEGREE FLAT HIGH PRESSURE SPRAY FOR BEST CLEANING

**ADDITIONAL SPRAY VALVE INFO**

- LOW ENERGY CONSUMPTION = HIGH \$ SAVINGS
- LOW WATER CONSUMPTION = HIGH \$ SAVINGS
- ENGINEERED TO OUT PERFORM OTHER BRANDS
- EXTREMELY ROBUST & ENGINEERED TO LAST

**WELS**

- 6 STAR, 3.5 lpm
- 3 STAR, 9 lpm

**WATERMARK & WELS:**

Global Tapware Pty Ltd is a Watermarked, level 1, Company.  
 All relevant products & components are WELS registered.

**Special Notice:**

- 1 - We reserve the right to make changes to products and drawings without notice.
- 2 - All drawings & documents are subject to copyright (c).
- 3 - Seek written consent by us to reprint / use other than in specification work.

**'GLOBAL RINSE MAID®' Series PT No. GRM032512**  
**DUAL HOB TAP PRE RINSE + 12" ADD-ON SPOUT**