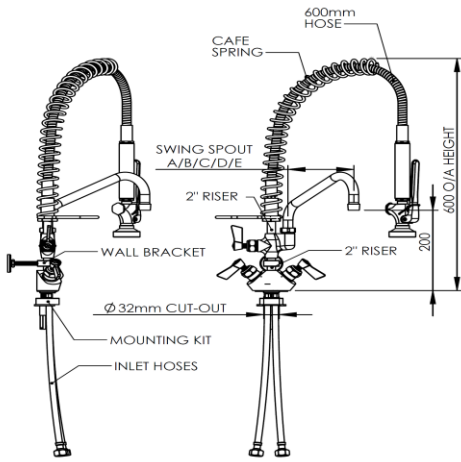
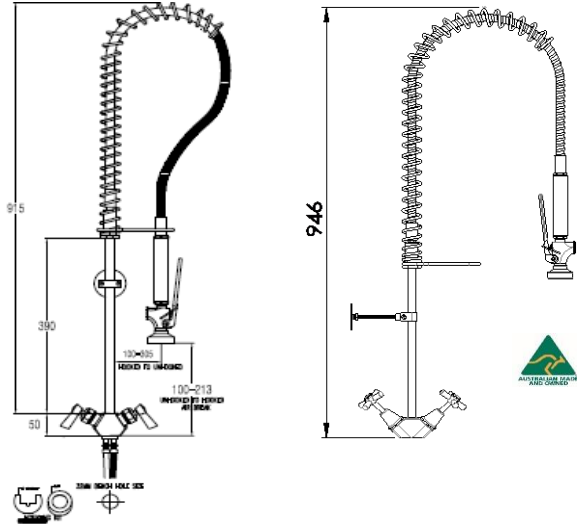


'PRODUCT DRAWINGS'

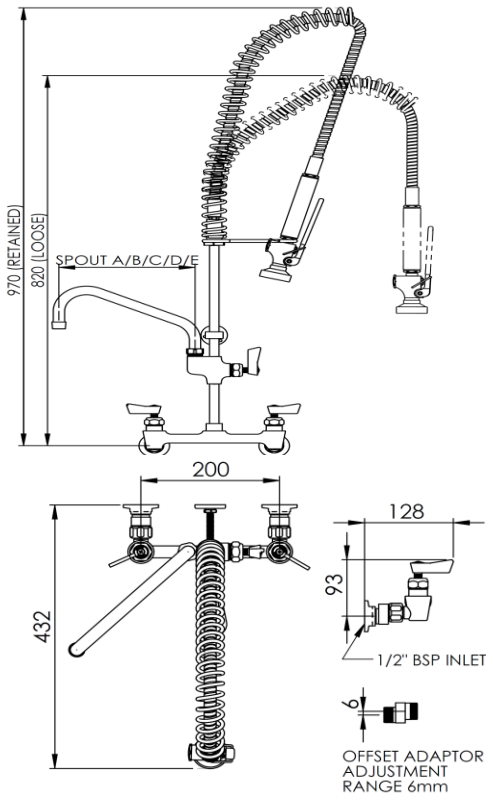
GLOBAL FISHER
Café Models



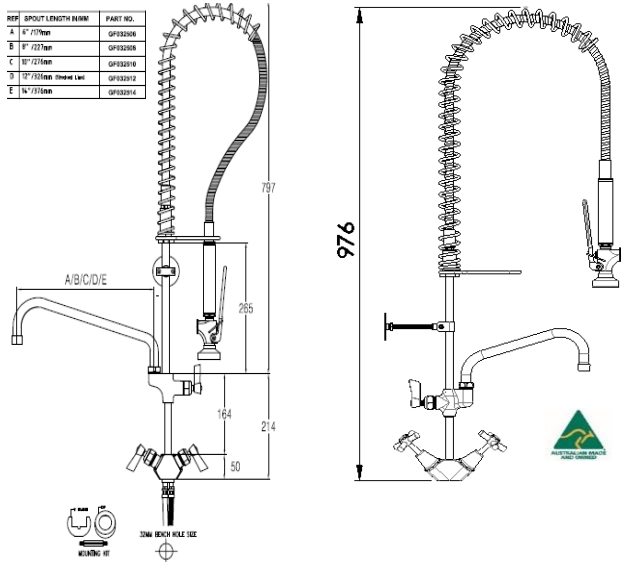
GLOBAL FISHER **GLOBAL RinseMaid**
Standard Models



GLOBAL FISHER
Wall Mount c/w Pot Filler



GLOBAL FISHER **GLOBAL RinseMaid**
with ADD-ON POT FILLER



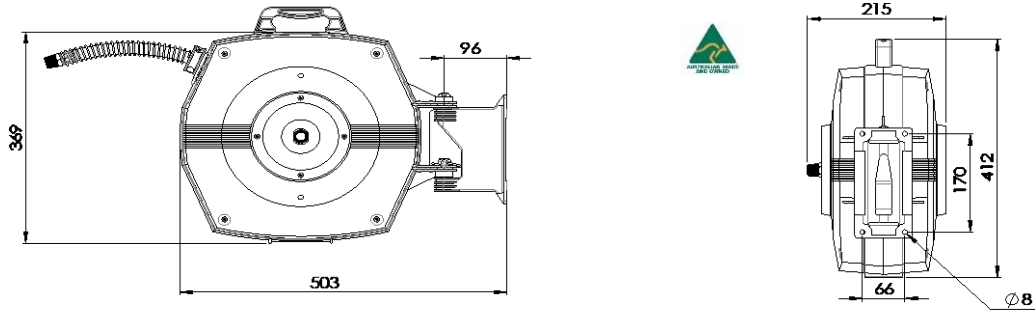
Global Tapware Pty Ltd

W: www.globaltapware.com.au E: sales.info@globaltapware.com

P: +61 7 3855 2355 P: 1300 85 25 15 F: +61 7 3112 1916

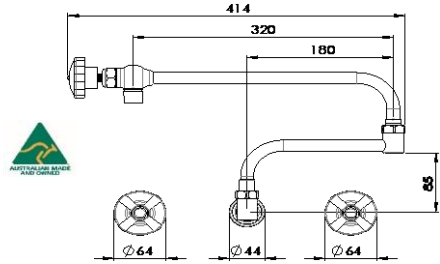
'PRODUCT DRAWINGS'

HOT WASH HOSE REEL

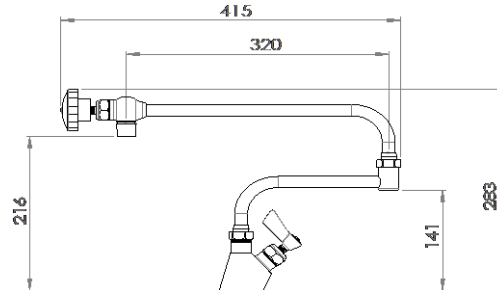


KETTLE / WOK Filling Taps

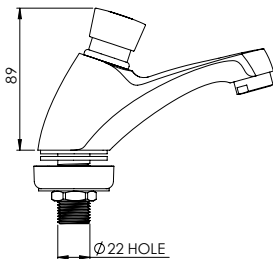
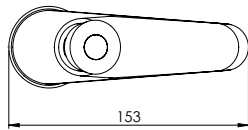
Easy Clean Wall Stops & Outlet



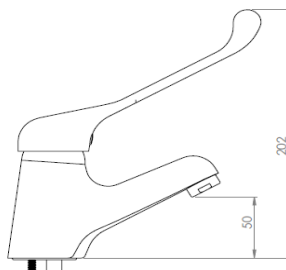
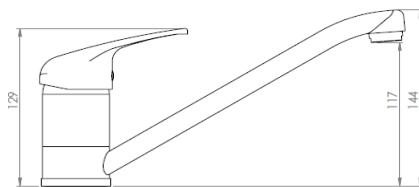
Stainless Single Deck Tap Outlet only



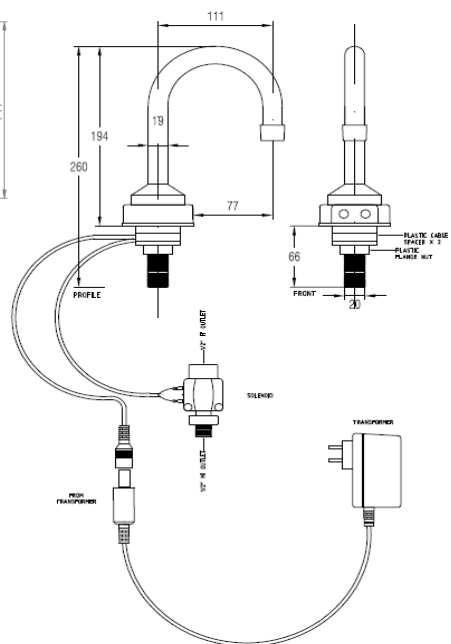
Push Button - Timeflow



MIXERS



Auto Electronic - Time Flow



Technical Information - 2017

TAPWARE

| | |
|------------------------------|---|
| Temperature: | Min 4° C - 65°c max. (Occasional Peaks up to 85° C) |
| Pressure: | 200 psi max Static, (1379 kpa max. Static) |
| Inlet Hoses Temp.: | Working 65° C, with peaks to 85° C |
| Inlet Hoses Pressure: | Working 65 psi, with peaks to 200 + psi |

Fisher

| | |
|---|------------------------------|
| Tap Body Material: | Stainless Steel - 304 |
| Pot Filler & Spout Material: | Brass w/- Chrome Plating |
| WELS Star Rating: | 3 Star / 9 lpm on all spouts |
| Gun Body & Handle Material: | Brass w/- Chrome Plating |
| WELS Star Rating: | 6 Star / 3.5 lpm Gun only |

Fisher Pre Rinse HOSE

| | |
|----------------------------------|---|
| Temperature: | Min 4° C - 65°c max. (Occasional Peaks up to 85° C) |
| Pressure: | 200 psi max Static, (1379 kpa max. Static) |
| Outer Sheathing Material: | Stainless Steel (304) Spiral Armourflex |
| Inner Tube: | 3 Ply Rubber |
| End fittings: | Stainless Steel (303) |

Stainless Steel

| | |
|---|---|
| Tap Body Material: | Stainless Steel - 304 on all 'Global Fisher & Stainless' ranges |
| Pot Filler & Spout Material: | Stainless Steel - 304 on all 'Global Stainless' ranges |
| WELS Star Rating: | 3 Star / 9 lpm on all spouts |
| Gun Body & Handle Material: | Stainless Steel - 304 on all 'Global Stainless' ranges |
| WELS Star Rating: | 6 Star / 3.5 lpm Gun only |

RinseMaid / EC / Q / Mixers / Autoflo / Time Flo

| | |
|----------------------------------|--|
| Tap Body Material: | Brass w/- Chrome Plating |
| Spout Material: | Brass w/- Chrome Plating |
| WELS Star Rating: | 3 Star / 9 lpm on all RM / EC / Q spouts |
| WELS Star Rating: | 4 Star / 7.5 lpm on all Mixers / TimeFlo |
| WELS Star Rating: | 5 Star / 6.5 lpm on all Autoflo |
| Fisher Gun Body Material: | Brass w/- Chrome Plating. |
| WELS Star Rating: | 6 Star / 3.5 lpm Gun only |

Rinse Maid™ Pre Rinse HOSE

| | |
|----------------------------------|---|
| Temperature: | Min 4° C - 65°c max. (Occasional Peaks up to 85° C) |
| Pressure: | 200 psi max Static, (1379 kpa max. Static) |
| Outer Sheathing Material: | Stainless Steel Braid w/- Plastic Coating |
| Inner Tube: | Anti-Kink Hose - 12mm i.d. |
| End fittings: | Brass & Chrome Plated Brass Nut |

Hot Wash Hose Reel & Wash-Down Gun

| | | |
|--------------------------------------|---------------------------|----------------------------|
| Reel & Gun Body Material: | Reel = Plastic | Gun = S/S c/w Rubber Cover |
| Pressures & temperature: | Reel = Max. 203 psi / 80c | Gun = Max. 90 psi / 80c |
| Inlet & Outlets: | Reel = ½" Male outlet | Gun = ½" Female inlet |

Global Tapware Pty Ltd

W: www.globaltapware.com.au E: sales.info@globaltapware.com

P: +61 7 3855 2355 P: 1300 85 25 15 F: +61 7 3112 1916