



**PRODUCT NAME:**  
GLOBAL SINK MIXER - STANDARD HANDLE

**PART NUMBER:**  
GMS

**DESCRIPTION:**  
GLOBAL MIXER C.P. SINK MIXER w/-  
STANDARD HANDLE



**TECHNICAL INFORMATION:**

- IDEAL WORKING PRESSURE 65 - 100 PSI
- MAXIMUM PRESSURE = 200 PSI STATIC (in short periods)
- WORKING TEMPERATURE 5 C - 65 C
- SHIPPING WEIGHT 1.5 KGS (approx)
- SCREWED MECHANICAL JOINTS & O RINGS

**SUPPLIED WITH:**

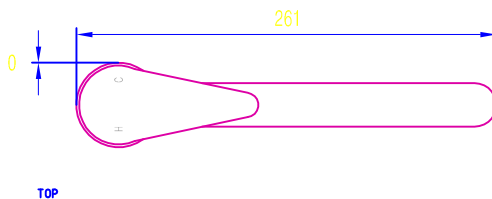
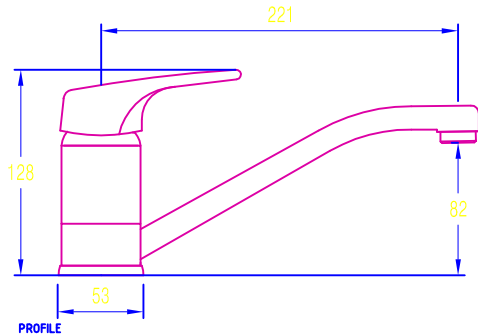
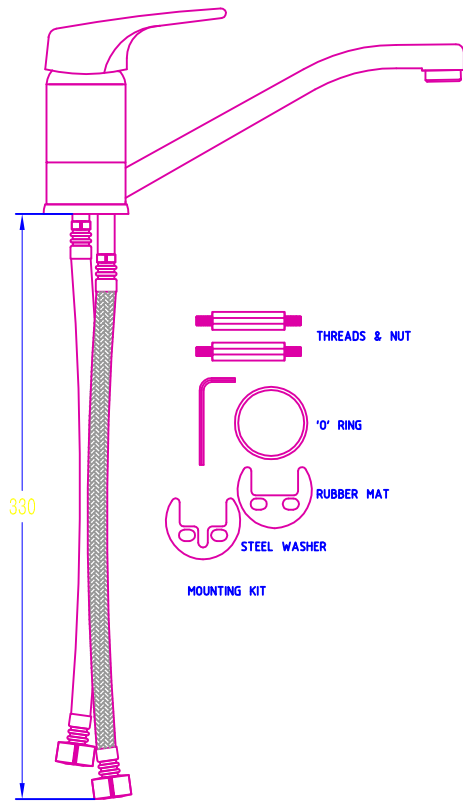
- INLET HOSES
- MOUNTING KIT

**FEATURES:**

- TOUGH RELIABLE CERAMIC CARTRIDGE
- ALTHOUGH THESE ARE NOT DESIGNED SPECIFICALLY FOR COMMERCIAL USE, THEY HAVE BEEN IN USE IN COMMERCIAL KITCHENS SINCE 2010 WITH OUT ANY MAJOR ISSUES THROUGH OUT AUSTRALIA. ANY ISSUES THAT HAVE ARISEN HAVE BEEN CAUSED BY ROUGH HANDLING.
- STANDARD HANDLE

**WELS**

-4 STAR, 7.5 lpm



**WATERMARK & WELS:**

Global Tapware Pty Ltd is a Watermarked, level 1, Company. All relevant products & components are WELS registered.

**Special Notice:**

- 1 - We reserve the right to make changes to products and drawings without notice.
- 2 - All drawings & documents are subject to copyright (c).
- 3 - Seek written consent by us to reprint / use other than in specification work.

**'GLOBAL MIXERS' SERIES PT No. GMS**  
**SINK MIXERS - STANDARD HANDLE**