



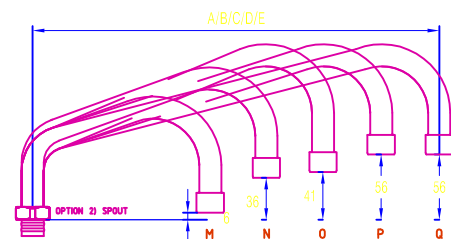
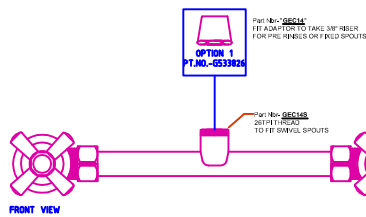
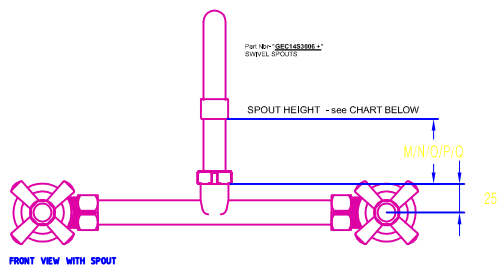
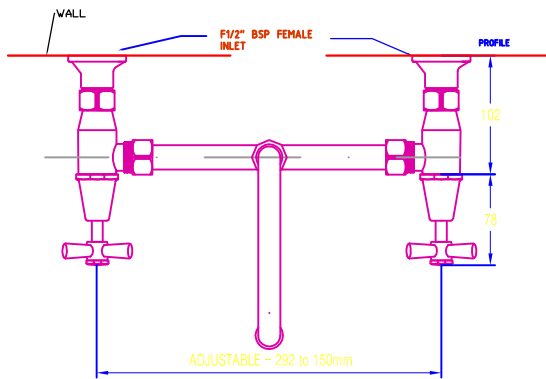
Australian Designed & Made

PRODUCT NAME:
'GLOBAL EC' SERIES
 EXPOSED ADJUSTABLE WALL TAP
 w/- SWIVEL SPOUTS & without.

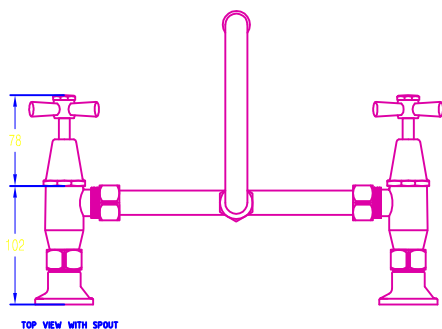
PART NUMBER:
 (a) GEC14S3006 (b) GEC14S (c) GEC14

DESCRIPTION:
 EXPOSED ADJUSTABLE WALL TAP-STRAIGHT-
 WITH STANDARD SWIVEL SPOUTS & EASY
 CLEAN HANDLES & 'Doust' JUMPER VALVES

TECHNICAL INFORMATION:
 - IDEAL WORKING PRESSURE 65 - 100 PSI
 - MAXIMUM PRESSURE = 200 PSI STATIC
 (in short periods)
 - WORKING TEMPERATURE 5 C - 65 C
 - SHIPPING WEIGHT 5.0KGS (approx)
 - SCREWED MECHANICAL JOINTS



REF	LENGTH IN MM	PT. NO.	TAP WITH SPOUT	SPOUT HEIGHT
M	6" / 179mm	F3968	RM14.3886	60MM
N	8" / 227mm	F3961	RM14.3888	36MM
O	10" / 276mm	F3962	RM14.3910	41MM
P	12" / 325mm	F3963	RM14.3912	56MM
Q	14" / 376mm	F3964	RM14.3914	56MM



SUPPLIED WITH:
 - INDEPENDENT WALL FLANGES
 - SINGLE TAP BODIES w/- LOOSE NUTS FOR FASTENING TO WALL FLANGES.
 - ADJUSTABLE WALL BREACH.
 - SWIVEL SPOUT OF YOUR CHOICE.
 - FIXED SPOUT OF YOUR CHOICE.

FEATURES:
 - FLEXIBILITY IN DESIGN AND FITTING.
 - USES 'Doust' JUMPER VALVE - EXTREMELY HARD WORKING AND RELIABLE.
 - EASY CLEAN HANDLES.
 - EASILY SERVICEABLE IN ANY PART OF THE COUNTRY.

WELS:-
 - 3 STAR. 9 l/min.

WATERMARK & WELS:

Global Tapware Pty Ltd is a Watermarked, level 1, Company.
 All relevant products & components are WELS registered.

Special Notice:

- 1 - We reserve the right to make changes to products and drawings without notice.
- 2 - All drawings & documents are subject to copyright (c).
- 3 - Seek written consent by us to reprint / use other than in specification work.

'GLOBAL EC' SERIES PT NO. GEC14S3006 +
 EXPOSED ADJUSTABLE WALL TAP-STRAIGHT- w/- STDD SWIVEL SPOUT