

AUTOFLO™

TOUCH-FREE ELECTRONIC TAPWARE

THE AUTOFLO™ ELECTRONIC TAPS HAVE BEEN DESIGNED TO PROVIDE A FULLY AUTOMATIC AND “TOUCH-FREE” OPERATION FOR CONVENIENCE AND TO MEET HEALTH REGULATIONS IN AREAS SUCH AS COMMERCIAL KITCHENS, FOOD HANDLING AREAS, HOSPITALS AND PUBLIC AMENITIES.

The Touch-free operation reduces the risk of cross-contamination and overcomes the reluctance of users to come into contact with contaminated surfaces particularly in public amenities.

The Autoflo™ tap operation is controlled by state-of-the-art sensing technology through a precisely focused infrared sensor that has been optimized to reject false triggering and spurious environmental interference to the maximum.

Autoflo™ taps through their advanced electronic designs and careful manufacturing, have proven themselves as one of the most enduring and reliable units on the market, for over 20 years.

With the installation of an Autoflo™ tap, a significant saving of water (up to 75%) and energy can be achieved. Water is delivered only when required. An incorporated safety timer will allow the tap to deliver water continuously for only a short period, thus preventing water wastage through vandalism or accidents.

Generally installations are very simple requiring only minor changes that can be easily carried out by a licensed plumber.



Commercial Series



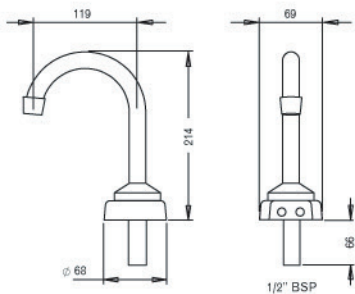
AUTOFLO™ BASIN MOUNT
Order Code 0175



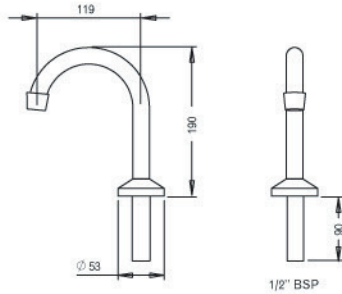
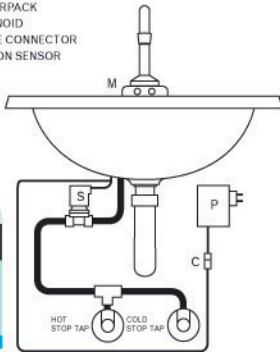
AUTOFLO™ FOOT OPERATED
Order Code 0195



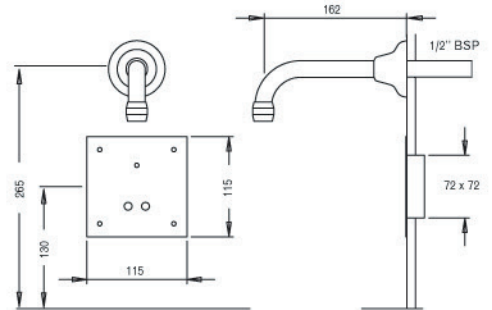
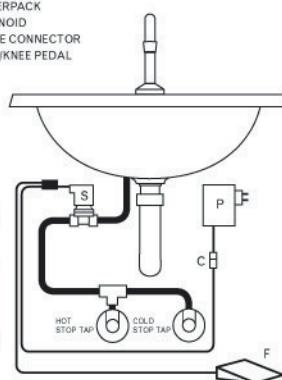
AUTOFLO™ WALL MOUNT
Order Code 0178



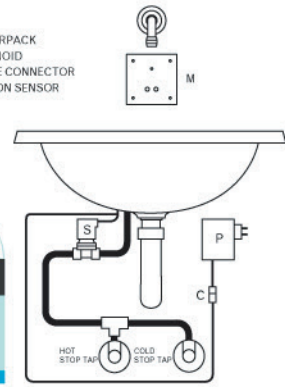
P = POWERPACK
S = SOLENOID
C = CABLE CONNECTOR
M = MOTION SENSOR



P = POWERPACK
S = SOLENOID
C = CABLE CONNECTOR
F = FOOT/KNEE PEDAL



P = POWERPACK
S = SOLENOID
C = CABLE CONNECTOR
M = MOTION SENSOR



Specifications

- Sensor: Active Infrared
- Sensor range: 60-200mm ~
- Factory set range: 130mm
- Activation delay: 2 secs ~
- Safety timer: 90 secs ~
- Solenoid: 1/2" BSP Male and female
- Recommended Pressure: 50-1,000 kPa
- Operating Temperature: 50°C recommended
- Operating Voltage: 24v AC (supplied power pack)

Specifications

- Operation: Momentary Foot Pedal
- Foot pedal: Rugged steel construction
- Action: Foot or Knee operation
- Solenoid: 1/2" BSP Male and female
- Recommended Pressure: 50-1,000 kPa
- Operating Temperature: 50°C recommended
- Operating Voltage: 24v AC (supplied power pack)

Specifications

- Sensor: Active Infrared
- Sensor range: 60-600mm ~
- Factory set range: 350mm
- Activation delay: 2 secs ~
- Post wash run time: 5-90 secs adjustable
- Safety timer: 90 secs ~
- Solenoid: 1/2" BSP Male and female
- Recommended Pressure: 50-1,000 kPa
- Operating Temperature: 50°C recommended
- Operating Voltage: 24v AC (supplied power pack)

* Product details/specifications are indicative only and may change without notice.



Distributed by:

