

Introducing the NEW **“DROP N LOCK”** ‘Global Fisher’ Pre-Rinses. This new improvement assists and speeds up installation time. The Sub-Assembly upper part comes pre-assembled, pressure Tested & ready to drop in place.

Now there is a *simple 3 stage fit out*:-

- (1) Fit & Connect up Tap body.
- (2) Fit the Drop N Lock Top Sub-Assembly to Tap Body.
- (3) Fit Wall Bracket.

All ‘Global Fisher’ Pre-Rinses are made by us here in our, ‘Watermarked’ Brisbane factory in Australia.

### Features:

- ✓ With the ‘Drop ‘N Lock’ system it allows you to position the Pot Filler where the end user requires it.
- ✓ All Components are 304 Stainless-Steel.
- ✓ Watermark approved & WELS Rated.
- ✓ Readily Available Spare Parts & Repair Kits.
- ✓ Now uses *new Triple Interchangeable Spray tips* to suit various applications.
- ✓ User & OHS Friendly.
- ✓ Best & Most reliable Pre-Rinse in the AUSTRALIAN market
- ✓ 36 Month onsite Warranty for faulty material or workmanship.
- ✓ **“AUSTRALIAN MADE”** in Brisbane from imported & Australian made components.

### Introducing the new

## Drop ‘N Lock’ System.

- \* No more Thread Tape.
- \* No more possible Leaking Joints.
- \* Simple and Easy to Install.
- \* Three Easy steps.
- \* Importantly – “NO Grub Screws” to wear.
- \* We use Strong Mechanical Joints.
- \* Made from 304 Stainless Steel.



### Repair Kits / Parts available through any Plumbing Retailer: -

#### RK1

Spray Valve Repair Kit

Pt. No. **G50KIT**



#### RK2

Pot Filler Repair Kit

Pt. No. **G25RK-SS**

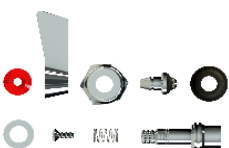


#### RK3-H / C

Tap Body Repair Kit

Cold - Pt. **GS03RKC-SS**

Hot - Pt. **GS03RKH-SS**



#### RK4

Spout & D’N L Repair Kit

Pt. No. **G-SPKIT**



#### Standard: - (900mm Tall)

06” = Pt No. **GF032506**

@ \$ \_\_\_\_\_

12” = Pt No. **GF032512**

@ \$ \_\_\_\_\_

#### Midi: - (750mm Tall)

06” = Pt No. **GF032506-M**

@ \$ \_\_\_\_\_

12” = Pt No. **GF032512-M**

@ \$ \_\_\_\_\_

#### Cafe: - (650mm Tall)

06” = Pt No. **GF032506-C**

@ \$ \_\_\_\_\_

12” = Pt No. **GF032512-C**

@ \$ \_\_\_\_\_



New S/S Triple Spray Tips, with Tool & Wall Holder Bracket

“Drop ‘N Lock”

RK 4

New S/S upgraded Pot Filler

RK 3-H

RK 3-C

Ph 1: 1300 85 25 15 or

Ph 2: 07 3855 2350

Email: [sales.info@globaltapware.com](mailto:sales.info@globaltapware.com)

[www.globaltapware.com.au](http://www.globaltapware.com.au)



WaterMark

Certificate No: 23008  
Level 1

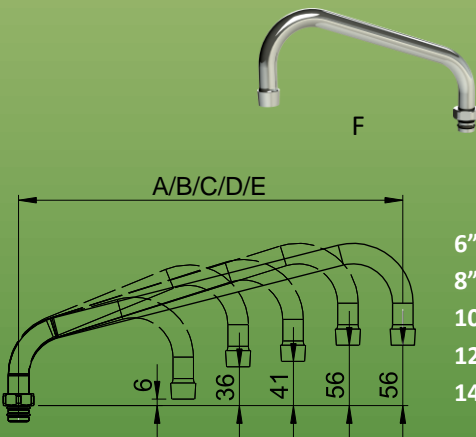
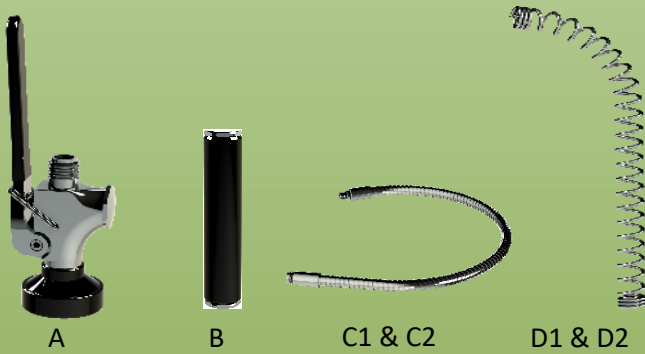


# GLOBAL FISHER

## PRE-RINSE TAPWARE RANGE

### Available SPARE PARTS: -

- A - Spray Gun Only - Pt. No. G2949-B
- B - Gun Handle Only - Pt. No. G5208
- C1 - 915mm Hose Stdd /Midi - Pt. No. G2914
- C2 - 650mm Hose Café - Pt. No. G2914-C
- D1 - Spring Guard-Stdd/ Midi - Pt. No. G8101
- D2 - Spring Guard - Café - Pt. No. G8101-C
- E - Pot Filler Body only - Pt. No. G-500
- F - Spouts - sizes 6", 8", 10", 12", 14" (See chart below)
- G- Dual Hob Tap-Swivel - Pt. No. GS03S
- H - Dual Tap Inlet Hoses - Pt. No. G03IH
- I - Dual Tap Mounting Kit - Pt. No. G03MK



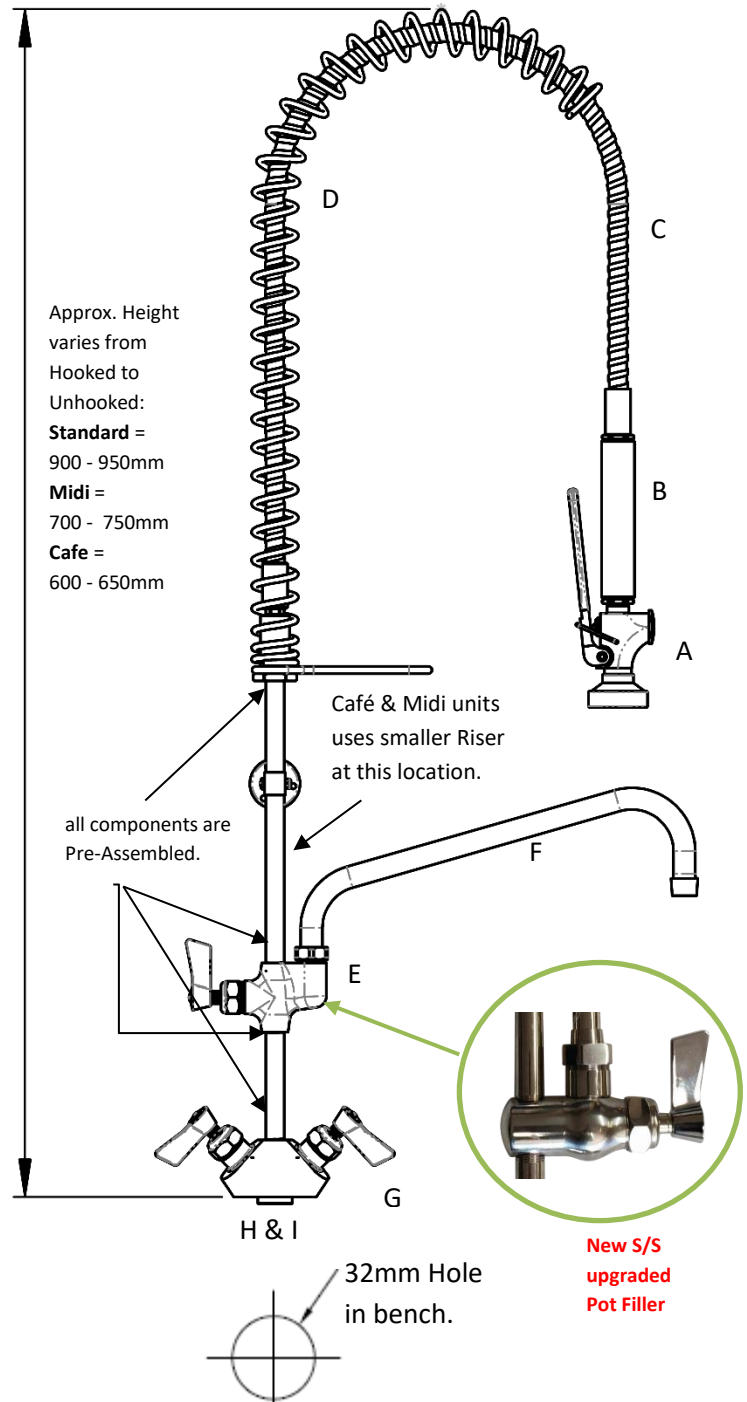
S/S Mounting Kit includes a Special Sealing Mat & a S/S Fixer-A-Plate

Details are as accurate as possible at the time of printing. Dimensions are indicative only and may change without notice, seek confirmation before relying on any dimensions shown.

We reserve the right to change designs at any time.

### Complete Units (other spout lengths see chart)

- Pt. No.s - GF032506 & GF032512 (Tall)
- Pt. No.s - GF032506-M & GF032512-M (Midi)
- Pt. No.s - GF032506-C & GF032512-C (Café)



Ph 1: 1300 85 25 15 or

Ph 2: 07 3855 2350

Email: sales.info@globaltapware.com

www.globaltapware.com.au



WaterMark

Certificate No: 23008  
Level 1