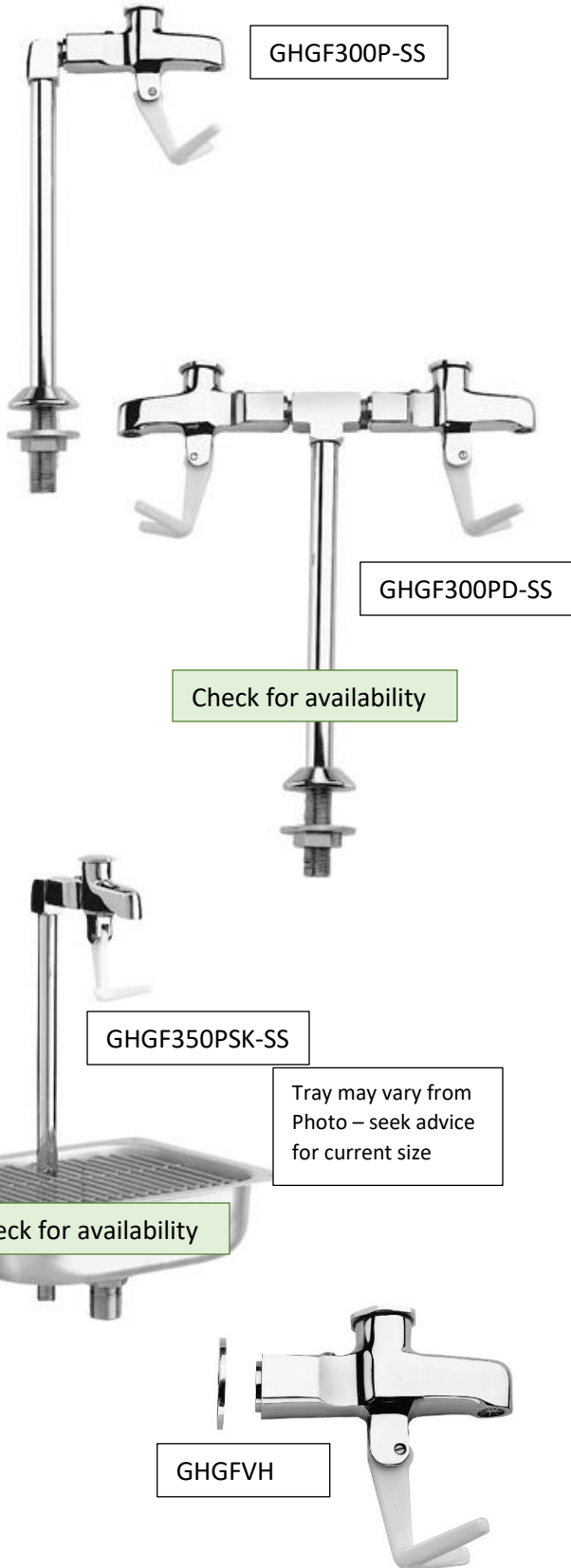


All The Hard works done...

Just Mount & Connect



- ✓ Proven to be super Reliable & Long Lasting – Components made in USA / Australia
- ✓ Variable Option (1) Single Head Pedestal (2) Double Head Pedestal (3) with Sink Tray
- ✓ Made from 304 S/S – Body & Components
- ✓ Auto SHUT OFF.
- ✓ Tamper Proof Volume Control Screw.
- ✓ No or minimal wastage of valuable water.
- ✓ Bench or Wall Mounted.
- ✓ Readily Available Spare Parts
- ✓ Hygienic Prongs -non-Marking.
- ✓ Suitable for Glass & Paper Cups
- ✓ Available throughout Australia.
- ✓ Watermarked. WELS is not applicable.
- ✓ 3/8 or 1/2 inlet May vary to production

Pt. No. **GHGF300P** \$_____ + GST

Single Head Valves on 300 Pedestal

Pt. No. **GHGF300PD** \$_____ + GST

Double Head Valves on 300 Pedestal –

Pt. No. **GHGF300PS** \$_____ + GST

Valve on 300mm Pedestal + Sink Tray

Pt. No. **GHGFVH** \$_____ + GST

Valve Head Only – 3/8 Female Inlet

P - 1300 85 25 15

E – sales.info@globaltapware.com

w - www.globaltapware.com.au

Glass / Jug Filling Station

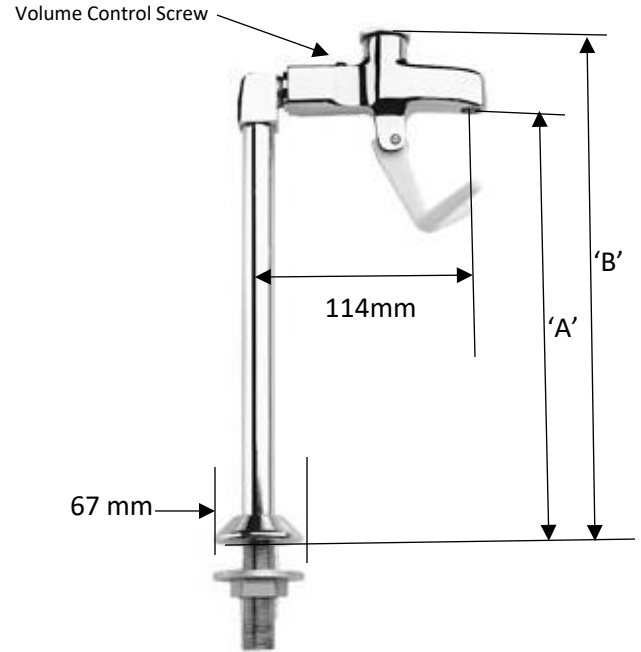


- Stainless Steel Head & Pedestal
- Tamper Proof Volume Control.
- Delrin Prong / Legs – Non-Marking.

- Pressure to be max. 100 psi Static.
- MUST be installed with a Pressure Regulator Valve (PRV)
- Temp. -4d C to max 60d C
- 8.3 lpm @ 80PSI

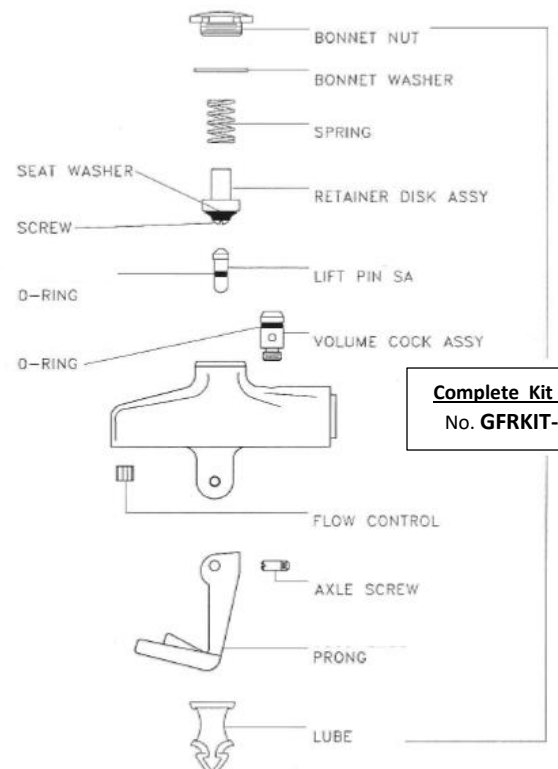
- S/S Seat Screw.
- S/S Stream Strainer.
- S/S Inner & Outer parts

- 20mm Rough in Hole size



○ 20mm Hole

Part Nbr	A	B
GHGF300P	305mm	350mm
GHGF300PD		
GHGF300PS		



P - 1300 85 25 15

E – sales.info@globaltapware.com

w - www.globaltapware.com.au