

# 'Global MixA™' Standard BASIN Model

w/ Two Handles

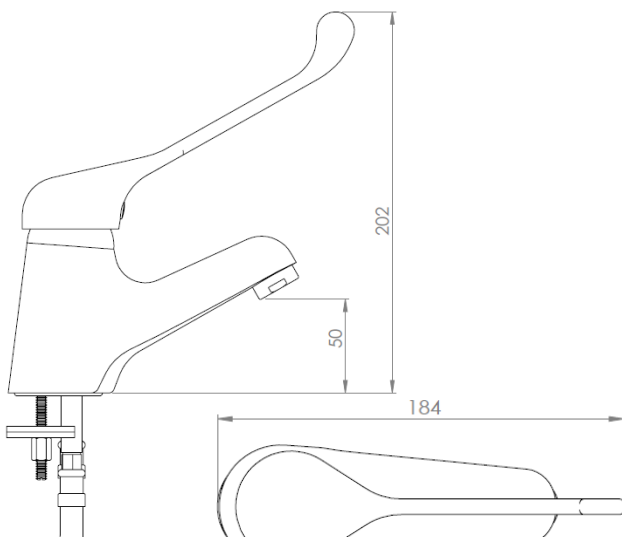
Option 1 –  
Standard Handle – as fitted



Option 2 –  
Lever Handle – Supplied as option



Chrome Product Code :- **GMB**  
RRP \$ \_\_\_\_\_ + GST



## Features:

- Standard & Lever Handles included in same box.
- 2 Indicator Buttons incl'd – **Red/Blue & Yellow / Blue**
- S/S Braid PEX inlet Hoses (Safety Feature)
- 40mm Ceramic Disc Cartridge
- Chrome Plated Brass.

## WARRANTY:

- 12 Months for Commercial use
- 5yrs for Domestic use

## Technical:-

Australian Standards : **Watermarked**  
WELS Rated : **4 Stars**  
Flow Rate : **7.5 lpm**

Mounting Hole : **32 -35mm**  
Material : **DZR Brass**  
Finish 1 : **Chrome Plated**

Working Press. : **500kpa. (NPC)**  
Max. Press. rated : **1500kpa.**  
Operating Temp : **1 - 80° C.**

Global Tapware Pty Ltd  
E – [sales.info@globaltapware.com](mailto:sales.info@globaltapware.com)  
P – 07 38 55 2350  
P – 1300 85 25 15

W- [GLOBALTAPWARE.COM.AU](http://GLOBALTAPWARE.COM.AU)