

'Global MixA™' Standard SINK Model

w/ Two Handles

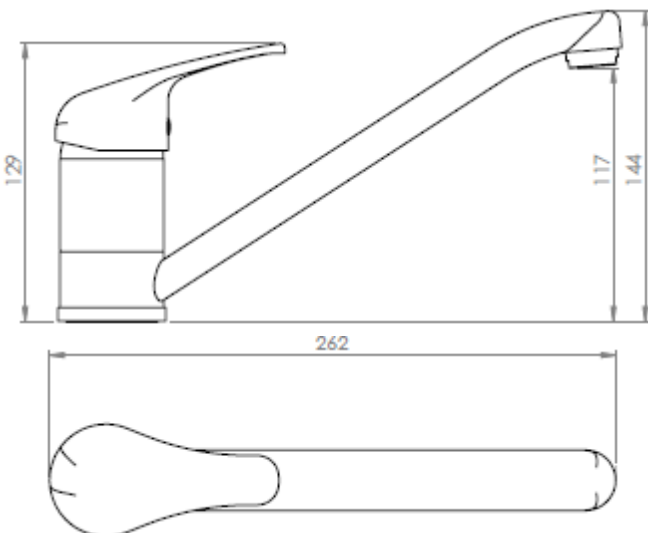
Option 1 –
Standard Handle – as fitted



Option 2 –
Lever Handle – Supplied as option



Chrome Product Code :- **GMS**
RRP \$ _____ + GST



Features:

- Supplied with Standard & Lever Handle in same box.
- 2 Indicator Buttons incl'd – **Red/Blue & Yellow / Blue**
- S/S Braid PEX inlet Hoses (Safety Feature)
- 40mm Ceramic Disc Cartridge
- Chrome Plated Brass.

WARRANTY:

- 12 Months for Commercial use
- 5yrs for Domestic use

Technical:-

Australian Standards : **Watermarked**
WELS Rated : **4 Stars**
Flow Rate : **7.5 lpm**

Mounting Hole : **32 -35mm**
Material : **DZR Brass**
Finish 1 : **Chrome Plated**

Working Press. : **500kpa. (NPC)**
Max. Press. rated : **1500kpa.**
Operating Temp : **1 - 80° C.**

Global Tapware Pty Ltd
E – sales.info@globaltapware.com
P – 07 38 55 2350
P – 1300 85 25 15

W- GLOBALTAPWARE.COM.AU