

"GLOBAL STAINLESS" Tapware RANGE

Made in Australia By Global Tapware Pty Ltd

www.globaltapware.com.au

1300 85 25 15

Global Stainless Tapware are made from 304 S/S and designed for applications that require something that is more **Reliable, Tougher & Robust** than most other commercial Chromed Brass Tapware on the market. Since 2010 we have been manufacturing our S/S Taps in our Brisbane, Qld, factory with consistent reliability. We are led to believe we were the first to sell Stainless Commercial Tapware in Australia.

They are very suitable for all types of Internal & External Environments such as – **Medical, Laboratories, Industrial areas** also for **R.O. (Reverse Osmosis)** applications. The material will not fail unlike Chrome Brass taps, where the chrome gets worn / rubbed off from constant cleaning or aggressive cleaning chemicals.

Stainless Steel is very environmentally friendly as it is 100% recyclable. However, 304SS does have some limitations such as not handling saltwater areas - 316 or marine grade S/S is a much more suitable product.

Technical Information: -

Safe Constant Working Temperature range is: **4 – 65° C with occasional peaks up to 85° C**

Safe Operational Working Pressure range is up to: **500kpa (as per National Plumbing Code) with occasional Max. 1379 kpa**

Readily available Spare Parts via all Plumbing Outlets nationwide.

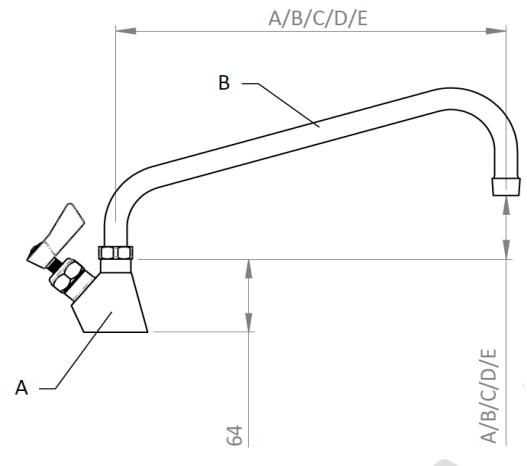
Note:- How to **change the spout Length Code** to what you require, all you do is change the last 2 digits of the Part Nbrs shown by using the Spout Guides Chart below. **Example** – Pt. No. GS03G30**12**S is a 12" Spout. Change to 6" = Pt No.

Single Hob / Deck Tap - Non-Mixing



Lgth	Part No.
6"	GS02G3006S
8"	GS02G3008S
10"	GS02G3010S
12"	GS02G3012S
14"	GS02G3014S

25mm Bench Hole

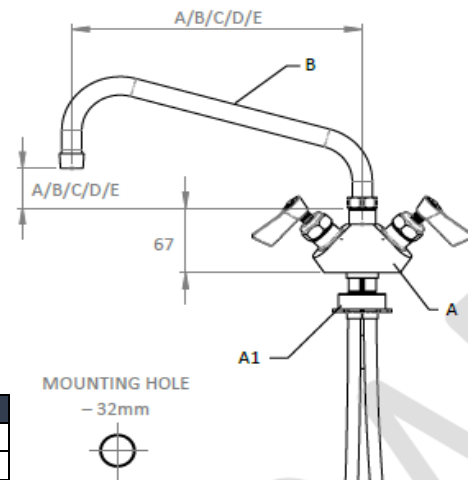


Dual Hob / Deck Tap - Mixing



Lgth	Part No.
6"	GS03G3006S
8"	GS03G3008S
10"	GS03G3010S
12"	GS03G3012S
14"	GS03G3014S

32mm Bench Hole



STANDARD SPOUTS Dimensions		
REF	LENGTH inch/mm	Height to Aerator
A	6"/153mm	6mm
B	8"/203mm	36mm
C	10"/254mm	41mm
D	12"/300mm	56mm
E	14"/356mm	56mm

PROUD TO BE AUSSIE MADE

We reserve the right to change, modify, alter products & drawings as when required without notice.

"GLOBAL STAINLESS" Tapware RANGE

Made in Australia By Global Tapware Pty Ltd

www.globaltapware.com.au

1300 85 25 15

Exposed Wall Tap- adjustable 197 to 210 - Mixing
Pt. No. -GS04G3012S (12" Spout w/- others avail).



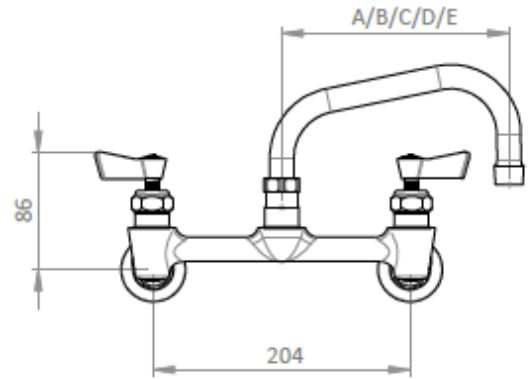
Only one size Paddle Lever is available - .
All handles on these S/S Taps are a chrome plated cast alloy and may have issue if exposed to some aggressive environments. Replacements available

Exposed Breach Hob / Deck Tap



Lgth	Part No.
6"	GS04G3006S
8"	GS04G3008S
10"	GS04G3010S
12"	GS04G3012S
14"	GS04G3014S

25mm Bench Holes X 2



Spout Outlet only Hob / Deck – No Tap



25mm Bench Hole

Lgth	Part No.
6"	GS06G3006S
8"	GS06G3008S
10"	GS06G3010S
12"	GS06G3012S
14"	GS06G3014S

Hidden Adjustable Breach Hob / Deck Tap -



Lgth	Part No.
6"	GS06G3006S
8"	GS06G3008S
10"	GS06G3010S
12"	GS06G3012S
14"	GS06G3014S

25mm Bench Hole X 1
32mm Bench Hole X 2

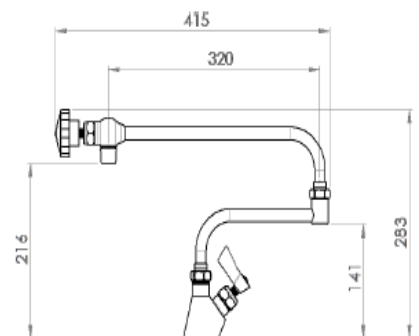
Single Hob / Deck Tap w/- Double Swivel Spout with 'End Tap' - Non-Mixing



Lgth	Part No.
18"	GS02G3518S

25mm Bench Hole

STANDARD SPOUTS Dimensions		
REF	LENGTH inch/mm	Height to Aerator
A	6"/153mm	6mm
B	8"/203mm	36mm
C	10"/254mm	41mm
D	12"/300mm	56mm
E	14"/356mm	56mm



PROUD TO BE AUSSIE MADE

We reserve the right to change, modify, alter products & drawings as when required without notice.