

"GLOBAL STAINLESS" Tapware RANGE

Made in Australia By Global Tapware Pty Ltd

www.globaltapware.com.au

1300 85 25 15

Global Stainless Tapware are made from 304 S/S and designed for applications that require something that is more **Reliable, Tougher** & **Robust** than most other commercial Chromed Brass Tapware on the market. Since 2010 we have been manufacturing our S/S Taps in our Brisbane, Qld, factory with consistent reliability. We are led to believe we were the first to sell Stainless Commercial Tapware in Australia.

They are very suitable for all types of Internal & External Environments such as – **Medical, Laboratories, Industrial areas** also for **R.O. (Reverse Osmosis)** applications. The material will not fail unlike Chrome Brass taps, where the chrome gets worn / rubbed off from constant cleaning or aggressive cleaning chemicals.

Stainless Steel is very environmentally friendly as it is 100% recyclable. However, 304SS does have some limitations such as not handling saltwater areas - 316 or marine grade S/S is a much more suitable product.

Technical Information: -

Safe Constant Working Temperature range is: **4 – 65° C with occasional peaks up to 85° C**

Safe Operational Working Pressure range is up to: **500kpa (as per National Plumbing Code) with occasional Max. 1379 kpa**

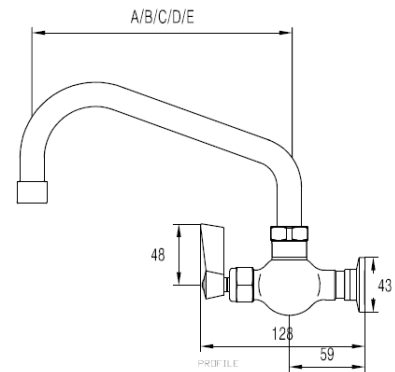
Readily available Spare Parts via all Plumbing Outlets nationwide.

Note:- How to **change the spout Length Code** to what you require, all you do is change the last 2 digits of the Part Nbrs shown by using the Spout Guides Chart below. **Example** – Pt. No. GS03G30**12**S is a 12" Spout. Change to 6" = Pt No.

Single Wall Tap – Non Mixing



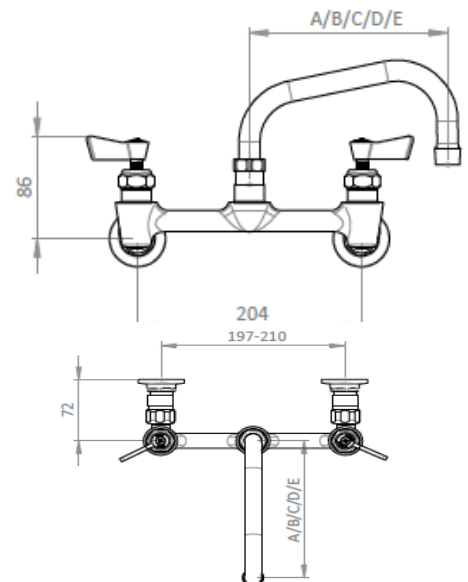
Lgth	Part No.
6"	GS11G3006S
8"	GS11G3008S
10"	GS11G3010S
12"	GS11G3012S
14"	GS11G3014S



Exposed Wall Tap- adjustable 197 to 210 - Mixing



Lgth	Part No.
6"	GS15G3006S
8"	GS15G3008S
10"	GS15G3010S
12"	GS15G3012S
14"	GS15G3014S



STANDARD SPOUTS Dimensions			
REF	LENGTH	inch/mm	Height to Aerator
A	6"	153mm	6mm
B	8"	203mm	36mm
C	10"	254mm	41mm
D	12"	300mm	56mm
E	14"	356mm	56mm

PROUD TO BE AUSSIE MADE

We reserve the right to change, modify, alter products & drawings as when required without notice.

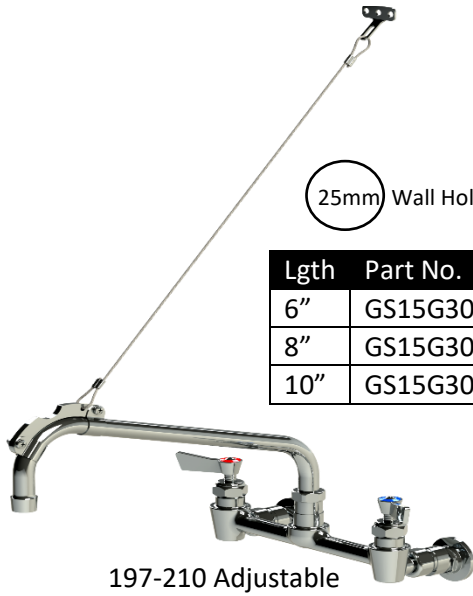
"GLOBAL STAINLESS" Tapware RANGE

Made in Australia By Global Tapware Pty Ltd

www.globaltapware.com.au

1300 85 25 15

CLEANERS SINK - Exposed Wall Tap- adjustable 197 to 210 - Mixing

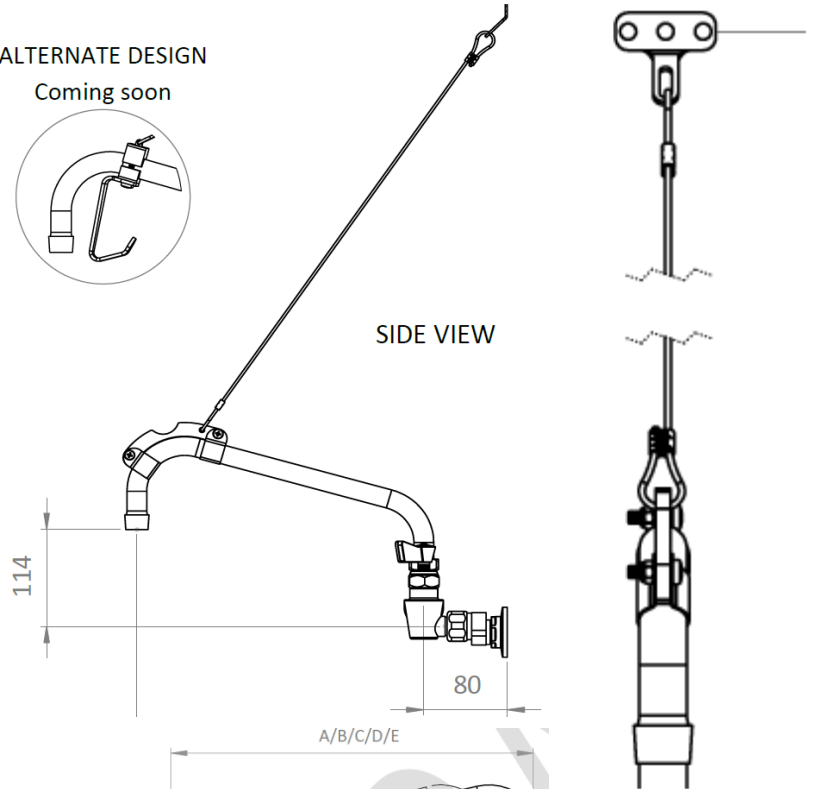
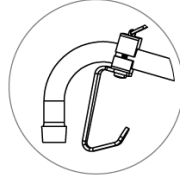


25mm Wall Hole x 2

Lgth	Part No.
6"	GS15G3006S-CS
8"	GS15G3008S-CS
10"	GS15G3010S-CS

197-210 Adjustable

ALTERNATE DESIGN
Coming soon



SIDE VIEW

114

80

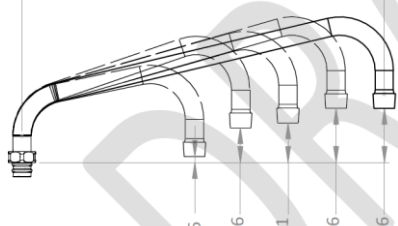
A/B/C/D/E

Spout Outlet only- Wall-No Tap



25mm Wall Holes

Lgth	Part No.
6"	GS16G3006S
8"	GS16G3008S
10"	GS16G3010S
12"	GS16G3012S
14"	GS16G3014SS



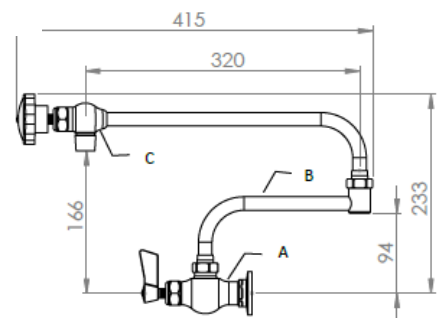
STANDARD SPOUTS Dimensions		
REF	LENGTH inch/mm	Height to Aerator
A	6"/153mm	6mm
B	8"/203mm	36mm
C	10"/254mm	41mm
D	12"/300mm	56mm
E	14"/356mm	56mm

Single Wall Tap w/- Double Swivel Spout with 'End Tap' - Non-Mixing



Lgth	Part No.
18"	GS11G3518S

25mm Wall Hole



Only one size Paddle Lever is available - .
All handles on these S/S Taps are a chrome plated cast alloy and may have issue if exposed to some aggressive environments. Replacements available

PROUD TO BE AUSSIE MADE

We reserve the right to change, modify, alter products & drawings as when required without notice.