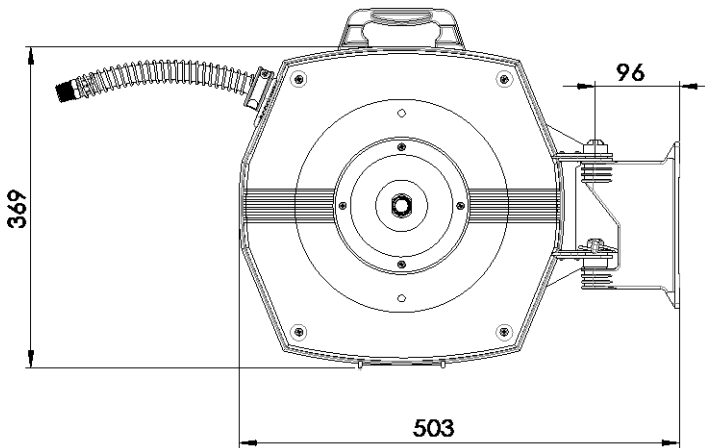




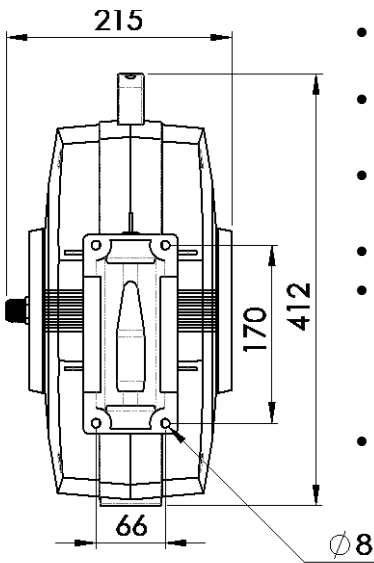
All Products & Brochure Designs / Drawings / Concepts are Copy Right Protected



TECHNICAL INFORMATION

The PVC hose has limitations as explained below:-

- Max. Working Pressure. As per NPC = **500 kpa**
- Max. Peak Working Pressure. - **203 psi (1400 kpa)**
- Cont. operating tempt. - **60°C** with short bursts up to **75°C**
- Not suitable for steam.
- **WARNING 1:-** Constant High Temperature water at above **70°C** may cause the end fitting/s to pop off. – **use a rubber hose.**
- **WARNING 2:-** Some Fats, MSG & some Cleaning Chemicals can cause the PVC Hose to dry out, work harden and crack & eventually Breaks or blows out. – This Situation is **NOT COVERED** by Warranty. – ---- **Use a Rubber Hose instead.** ----



Hanging Wall Mount Bracket.

Pt. No.: **GTHRWBKT-MT** RRP \$ ____ + GST



Replacement Add-On Hose Extension:

250mm x 1/2" M x 1/2" F

Includes Spring Guard. For use on older models

Pt. No.: **GTHWHSGEXT** RRP \$ ____ + GST



Hot Wash Hose only - 1/2" M & F ends

5mt - Pt. No.: **GTHWH05MF** RRP \$ ____ + GST

15mt - Pt. No.: **GTHWH15MF** RRP \$ ____ + GST

20mt - Pt. No.: **GTHWH20MF** RRP \$ ____ + GST

Hose Reel only.

Pt. No.: **GTHR1215RED**

RRP \$ ____ + GST



Inlet Feed Hose

1.5mt x 1/2" FI x 3/4" FI
supplied with Reels

Hose Reel & Gun.

Pt. No.: **GTHR1215REDSG** RRP \$ ____ + GST

This '**AUSSIE MADE**' HOT WASH HOSE REEL is time proven to be **TOUGH & ROBUST** and exceptionally reliable and is backed up with Global Tapware's warranty. It features a full Plastic body.

Please be aware that there are limitations on the Hose itself. If you want High Temperature or using in an aggressive environment where Fats, msg, Chemicals are around then we strongly advise paying more for a Rubber Hose which is more suited.

Features:

- Special blended PVC & Nitrile Hose – 15mt x 12.5 mm i.d. for higher flow rate.
- Full Plastic Body with Brass & Nylon inner workings – so NO heat Transfer to end user.
- One Piece 180° Swivelling Bracketing system with lock pin. Makes for easier Install.
- Easy access to inner workings in case of overreaching of hose.
- Includes Inlet Feed Hose w/ 3/4" female.
- 1/2" Fixed Male outlet with Spring Guard on end of hose, designed to protect hose from kinking.
- 12-month repair or replacement warranty of Reel only – Hose has a limited - See Technical Warning 2.
- See over page for info on the Wash Gun.

Phone: 1300 852 515 or 07 3855 2350

Email: sales.info@globaltapware.com

www.globaltapware.com.au

All Products & Brochure Designs / Drawings / Concepts are Copy Right Protected

SPRAY PATTERNS



Pt. No. GUNNA-BLU

RRP \$ _____ + GST

The 'SUPA-WASH GUN' is a tough, robust wash down gun suitable most rugged conditions.

Features:

- Built from S/S Investment Cast body and S/S internal fittings.
- S/S 1/2" BSP Swivel Female connection
- Non Slip Rubber Covers – Replaceable if required
- Trigger Guard – OH&S suitable.
- Easy Volume Adjustment
- Fan spray or Jet Stream
- Suitable for Hot or Cold water.
- 12-month replacement warranty.

- Max. Constant Working Pressure:- 500 kpa
- Max. Constant Working temperature:- 70-80°C
- Not suitable for steam.

Phone: 1300 852 515 or 07 3855 2350

Email: sales.info@globaltapware.com

www.globaltapware.com.au