

PLASTIC HOT WASH HOSE REEL

IMPORTANT ;- To the Installer: -

Due Care & Consideration must be given to the operation of the reel if mounting above 900mm. Rough Handling, tugging could / can cause damage to wall & / or Reel. No Warranty is given if damage of any nature is deemed to have been caused by mounting above 900mm from floor unless a special bracket used. No warranty if over stretching has occurred.

WARRANTY :-

12 Month Warranty on the REEL Only. Limited Warranty on the Hose as some external products can damage hose, such as animal fats (chicken), MSG, some Cleaning Chemicals. – See Warning below

S/S w/ Rubber Covering Wash Down Gun

Pt. No. GUNNA-BLU



Specifications

GT Part Nbr. Reel Only	MHR30080	MHR30070
GT Part Nbr. Reel + Gun	MHR30080SG	MHR30070SG
Uses	Cold / Hot Water	Cold / Hot Water
Working Pressure	300 psi / 20 bar	300 psi / 20 bar
Working Temperature	-40 C to + 65 C (Occasional peaks to 80 C)	-40 C to + 65 C (occasional peaks to 80 C)
Body Material	Polypropylene	Polypropylene
Hose Materials	Hybrid Polymer	Hybrid Polymer
Hose I.D.	12mm	10mm
Hose Length	15mt / 49ft	20mt / 65ft
Hose End Fitting	½" BSP (T) Swivel Male	3/8" BSP (T) Swivel Male
Inlet Hose Length	900mm Supplied	900mm Supplied
Inlet Hose Fitting	½" BSP Female Loose Nut & Cone Seat	3/8" BSP Female Loose Nut & Cone Seat
PRICE (Excl GST)	\$	\$
PRICE (Excl GST) w/- Gun	\$	\$

NOTE – The 10mm i.d. has a lower flow rate than the 12mm i.d. hose from the washdown gun.

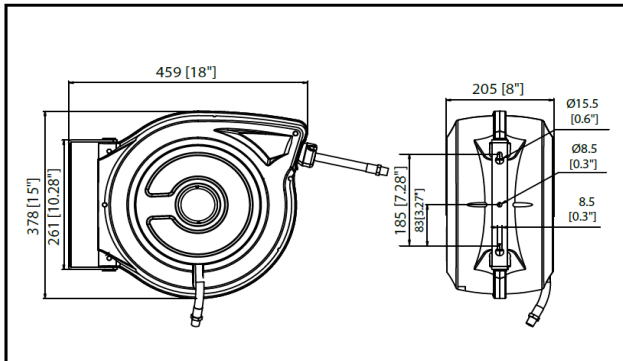
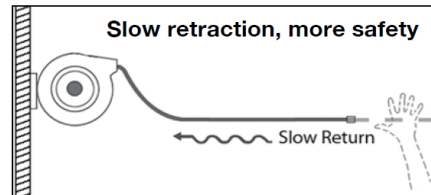
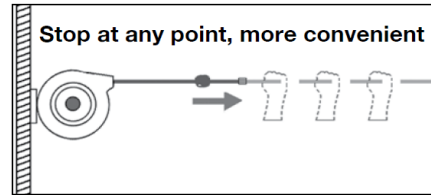
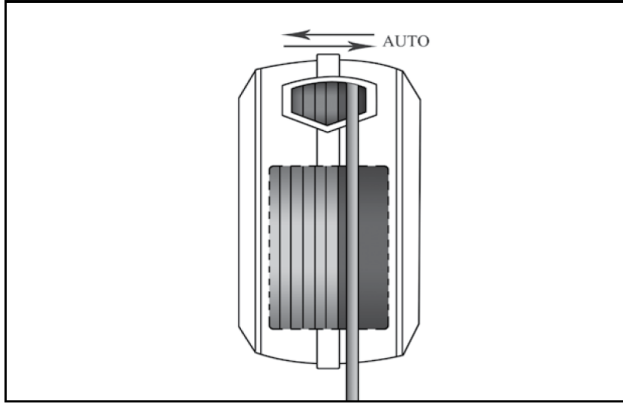
FEATURES:

- 1 – Automatic **Hose Guiding System**. Allows orderly Feeding of hose in & Out.
- 2 – **Speed Control** device allows for auto rewinding of hose in constant speed & in a safer way.
- 3 – Hose can be **stopped at any point** as required.
- 4 - **Superior Bend Radius** of Hybrid Hose helps eliminate kinks- with no memory.
- 5 – Central Mount Bracket Allows **tight swivelling** of unit.
- 6 – **Wall or Ceiling Mounted**. With a new **FLOOR MOUNT S/S BRACKET** (360degree swivel) Available.

WARNING: Some Animal Fats & Cleaning Chemicals attack the chemical compound of these PVC hoses. This results in drying out, cracking & then bursting. This is not a warranty issue. If you use these items, then we Strongly Encourage you to use a rubber hose that is more suitable. Talk to us about this as we are developing such a unit. Yes, it will cost more, but worth it in the long run.

TECHNICAL INFORMATION

Hose guiding system & rewind



IMPORTANT

- 1 – **DO NOT** Run Hose out **FAST**.
- 2 – **DO NOT** Tug / Pull hose beyond its limit. -
- 2a- Use a Permanent Marker Pen to mark indicator points on hose when going around corners.
[1, 2 & 3 stripes spaced apart]
- 3 – **Take Hose & Gun back to reel** to wind back in.
- 4 – **Wipe hose with Vegetable oil** Only, at least once a Week.

