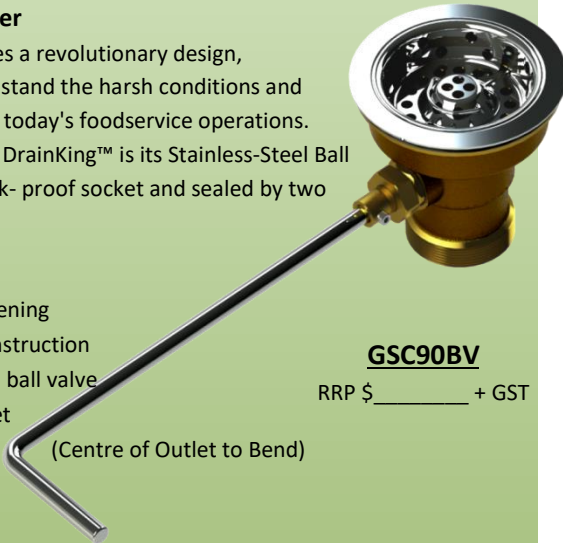


Standard 'Ball Valve' Twist Lever Waste Valve w/ Basket Strainer

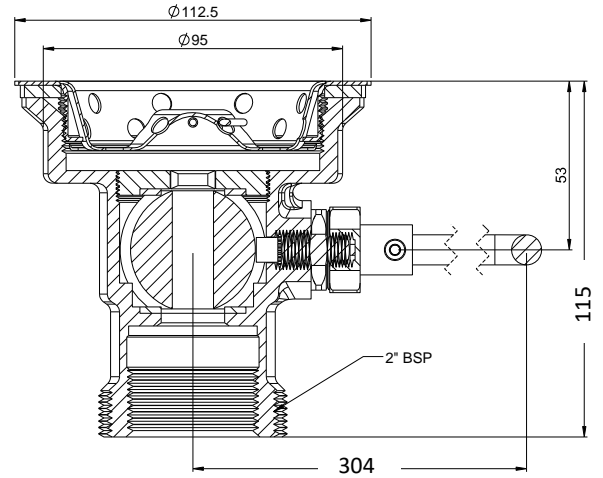
DrainKing™ features a revolutionary design, engineered to withstand the harsh conditions and chemicals found in today's foodservice operations. At the heart of the DrainKing™ is its Stainless-Steel Ball Valve, held in a leak-proof socket and sealed by two PTFE seals.

Features:

- Full throat opening
- Cast brass construction
- Stainless steel ball valve
- Strainer basket
- 12" Lever - (Centre of Outlet to Bend)



GSC90BV
RRP \$ _____ + GST



Standard 'Pop-Up' Twist Lever waste valve w/ Flat Strainer.

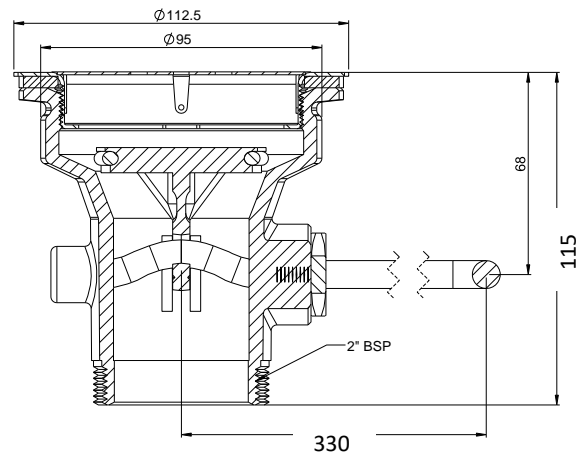
Features:

- Cast brass & CP body
- Flat Strainer (standard)
- c/w Overflow Facility (Capped & Sealed)
- Basket Strainer option
- 2" BSP connection w/ recess for Trap
- 13" Lever (Centre of O/L to Bend)



Flat Strainer: **GSC90PU**
RRP \$ _____ + GST

Basket Strainer: **GSC90PU-SBK**
RRP \$ _____ + GST



Spare Parts Available to suit all models

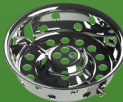
GSC-RRK

RRP \$ _____ + GST



Basket Strainer: Lock In
GSC-BSK-LK

RRP \$ _____ + GST



Pop Up O'Ring Replacement:

GSCPU-ORR

RRP \$ _____ + GST



Basket Strainer: Drop In
GSC-BSK-DI

RRP \$ _____ + GST



Phone: 1300 85 25 15 or 07 3855 2350

Email: sales.info@globaltapware.com

www.globaltapware.com.au