

HOT WASH HOSE REEL - Important Operating Information.

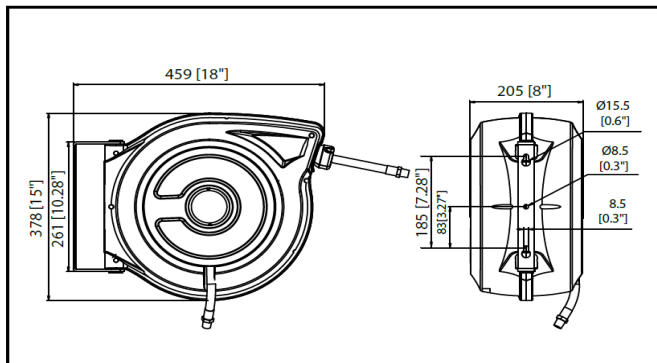
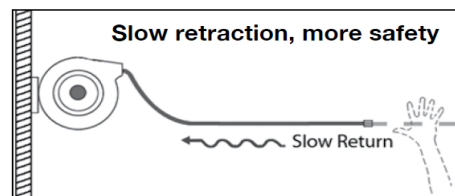
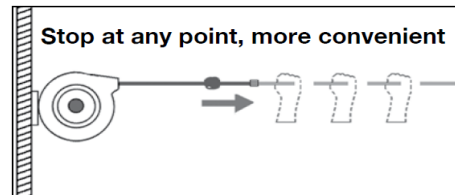
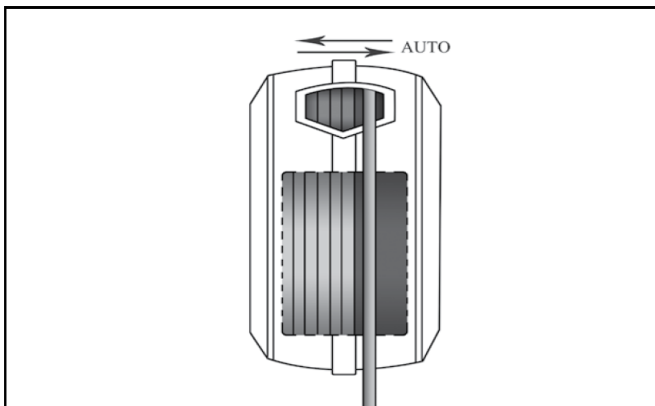
Att: - End User, please pin / tape this information sheet to the wall above Hose

IMPORTANT information for ALL End Users

- 1 - **DO NOT** Run Hose out **FAST**.
 - 2 - **DO NOT** Stretch or Pull hose beyond its Limit as you could damage internal workings.
 - 3 - **Mark Hose** at **3 points**, spaced evenly out, Along hose after it goes around corner or after losing sight of Reel.
 - 4 - **Take** Hose & Gun **back** to the Reel before winding back in.
 - 5 - **Wipe** hose with **Vegetable oil** only, at least once a week.
- ** **NO WARRANTY** given if there is any EVIDENCE of ABUSE or rules not followed.

Mark 1 ring, 2 rings & 3 rings = First 2 warnings, stop pulling at sight of 3 rings.

Hose guiding system & rewind



Rubber Encased S/S 'Supa-Wash' Gun. aka as a GUNNA.

Details	Pt. Nbr. MHR30080 or MHR30080SG	Pt. Nbr. MHR30070 or MHR30070SG
Uses	Cold / Hot Water	Cold / Hot Water
Working Pressure. Max.	300 psi / 20 bar	300 psi / 20 bar
Working Temperature. Max.	-40 C to + 65 C (Occasional Peaks to 80c)	-40 C to + 65 C (Occasional Peaks to 80c)
Body Material	Polypropylene	Polypropylene
Hose Materials	Hybrid Polymer PVC	Hybrid Polymer PVC
Hose I.D.	12mm	10mm
Hose Length	15mt / 49ft	20mt / 65ft
Hose End Fitting	½" BSP (T) Swivel Male	3/8" BSP (T) Swivel Male
Inlet Hose Length	900mm Supplied.	900mm Supplied.
Inlet Hose Fitting	½" BSP Female Loose Nut & Cone Seat	3/8" BSP Female Loose Nut & Cone Seat

WARNING: Some Animal Fats & Cleaning Chemicals attack the chemical compound of these PVC hoses. This results in drying out, cracking & then bursting. This is not a warranty issue. If you use these items, then we Strongly Encourage you to use a rubber hose that is more suitable. Talk to us about this as we sell such a units. Yes, it will cost more, but worth it in the long run.