



**GLOBAL**  
TAPWARE

# 'Global Fisher™'

**Café Pre-Rinse**

**650mm Tall**



Product Code :- **GF032100-C**  
RRP \$ \_\_\_\_\_ + GST



Product Code :- **GF032512-C**  
RRP \$ \_\_\_\_\_ + GST

- For other length spouts: – 08 = 8", 10 = 10", 12 = 12" - Replace the last 2 digits

## Features:

- All Component made from quality polished 304 S/S.
- Squeeze Lever has quick release shut off - (OH&S Feature)
- Hot & Cold Lever Handles.
- "Drop N Lock" easy Installation System .
- Pre-assembled & tested Sub-Assembly in our Brisbane factory.
- Triple Interchangeable Spray Tips- Flat Fan, Shower, Pulse.

## WARRANTY:

- 36 Months for Commercial use

## Technical:-

Australian Standards : **Watermarked**

### **GF032100-C:**

WELS Reg. : **T14467**  
1<sup>ST</sup> Outlet : **6 Stars**  
Flow Rate : **3.5 lpm**

### **GF032512-C:**

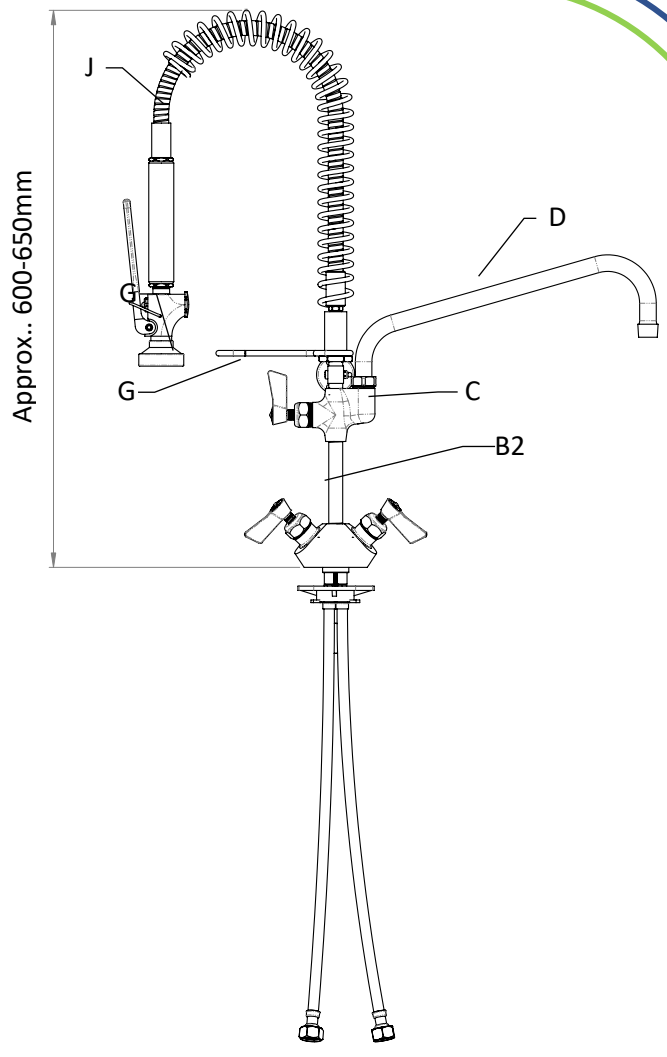
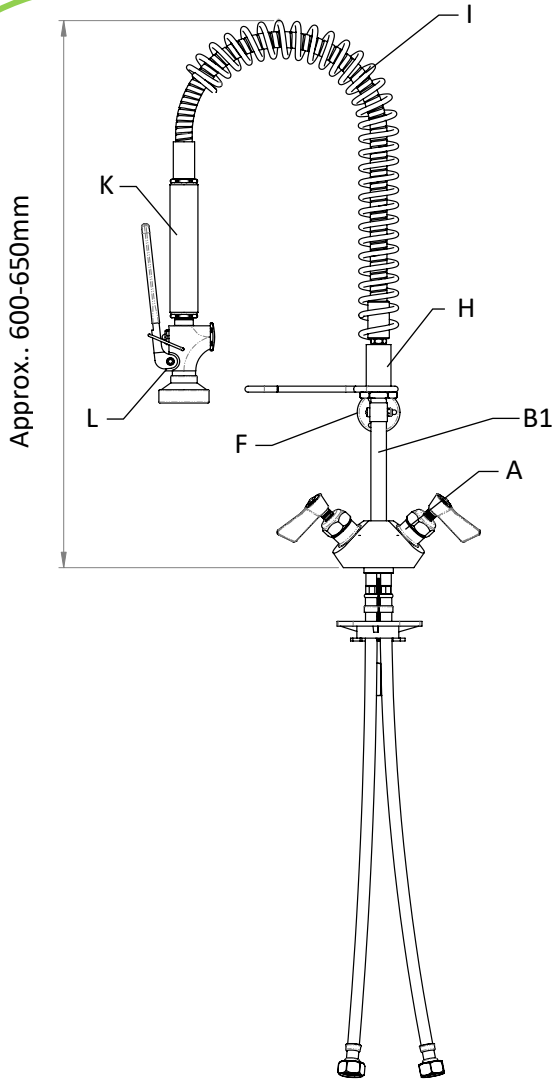
WELS REG : **T14468**  
1<sup>ST</sup> Outlet : **6 Stars**  
Flow Rate : **3.5 lpm**  
2<sup>nd</sup> Outlet : **3 Stars**  
Flow Rate : **9 lpm**

Mounting Hole : **32 -35mm**  
Material : **304 S/S**  
Finish 1 : **Polished S/S**

Working Press. : **500kpa. (NPC)**  
Max. Press. rate : **1500kpa.**  
Operating Temp : **1 - 80° C.**

Global Tapware Pty Ltd  
E – [sales.info@globaltapware.com](mailto:sales.info@globaltapware.com)  
P – 07 38 55 2350  
P – 1300 85 25 15  
W- **GLOBALTAPWARE.COM.AU**





A	S/S Dual Hob Tap c/w Inlet Hose & Mounting kit
B1	S/S 10" RISER
B2	S/S 4" x 2 RISER
C/D	S/S ADD ON POT FILLER Spout
F	S/S WALL BRACKET
G/H	S/S RETAINER + HOOK
I	S/S & CP SPRING GUARD
J	S/S ARMOURFLEX HOSE 6500 mm LONG
K/L	S/S SPRAY GUN & Handle (3.5lpm/WELS 6 Star)

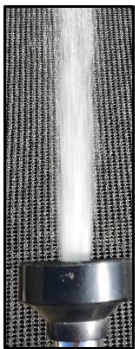
REF	LENGTH IN/mm	Height to Aerator	PT.NO. (S/S & Chrome)
A	6"/179mm	6mm	GF032506-C
B	8"/227mm	36mm	GF032508-C
C	10"/276mm	41mm	GF032510-C
D	12"/326mm	56mm	GF032512-C
E	14"/376mm	56mm	GF032514-C

**Triple Interchangeable Spray Tips**

FLAT FAN



SHOWER



PULSE

