

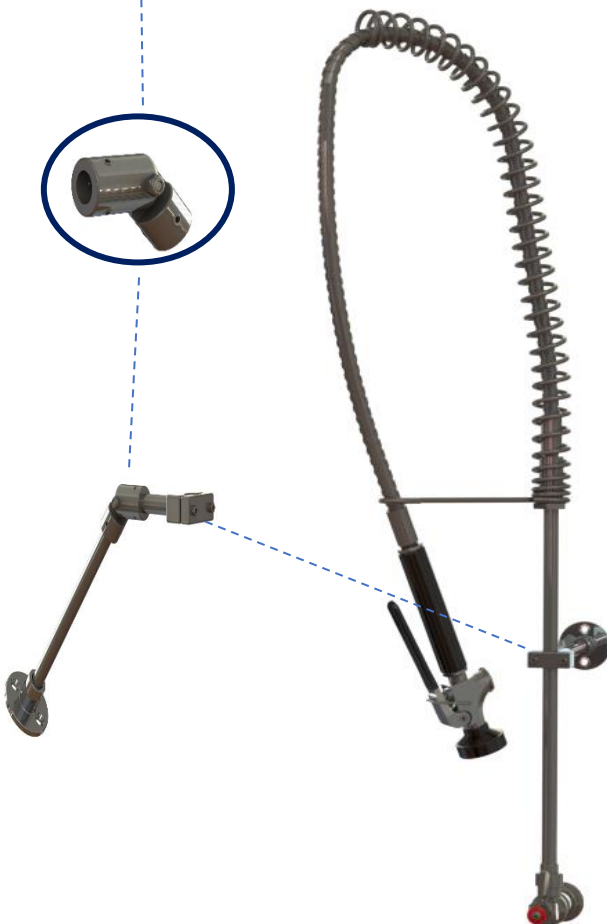
# 'Global Fisher™' Standard Pre-Rinses

'TALL' -900mm (Unhooked) – 950mm (Hooked)

## SINGLE TALL – WALL MOUNT

**Available Now**

**The KNUCKLE.** Allows Adjustable Wall Bracket Mounting System. Sold separately.



Product Code :- **GF112100**  
RRP \$ \_\_\_\_\_ + GST



### Features:

- All Component made from quality polished 304 S/S.
- Squeeze Lever has Lock-On & Quick release shut off - (OH&S Feature)
- Hot & Cold Lever Handles.
- “Drop N Lock” easy Installation System .
- Pre-assembled & tested Sub-Assembly in our Brisbane factory.
- Triple Interchangeable Spray Tips- Flat Fan, Shower, Pulse.

### WARRANTY:

- 36 Months for Commercial use

### Technical:-

Australian Standards : **Watermarked Lic. 23008**

**WELS Reg. No.** : **T14473**  
**1sts Outlet** : **Spray Gun :**  
WELS Rated : **6 Stars**  
Flow Rate : **3.5 lpm**

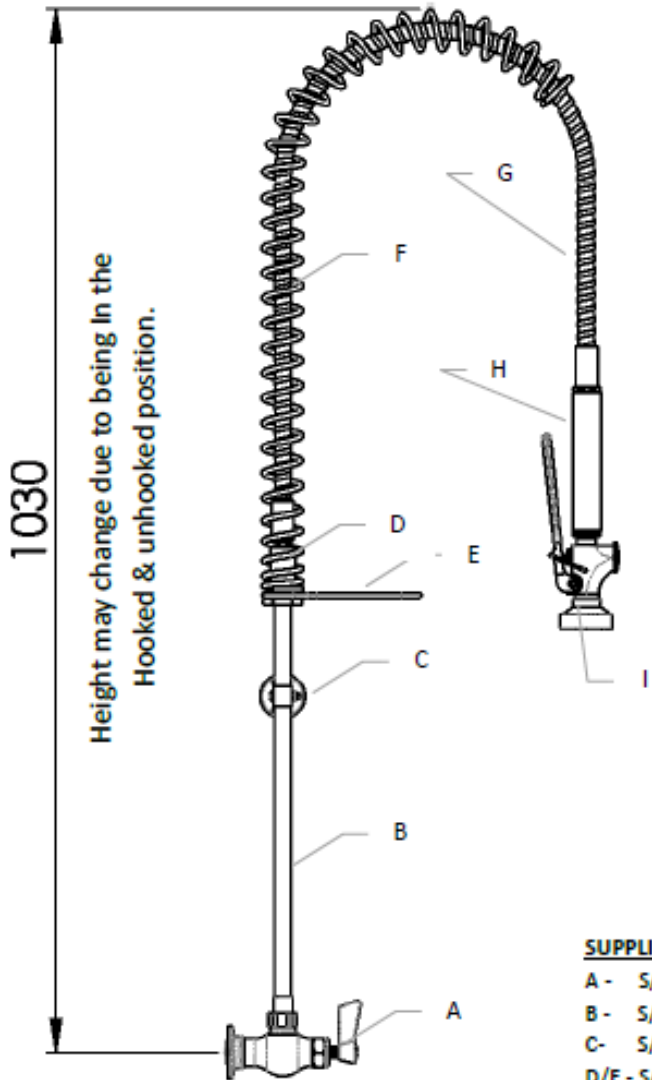
Mounting Hole : **32 -35mm**  
Material : **304 S/S**  
Finish 1 : **Polished S/S**

Working Press. : **500kpa. (NPC)**  
Max. Press. rate : **1500kpa.**  
Operating Temp : **1 - 80° C.**

### \* **More Products under the GF112100 Code :-**

- GF112100-M (Midi model - short 750)
- GF112100-C (Café model - short 650)
- GF112100-A (Adjustable Height 100mm)
- GF112100-SS (Made for RO Applications)

Global Tapware Pty Ltd  
E – [sales.info@globaltapware.com](mailto:sales.info@globaltapware.com)  
P – 07 38 55 2350  
P – 1300 85 25 15  
W- [GLOBALTAPWARE.COM.AU](http://GLOBALTAPWARE.COM.AU)



1030  
Height may change due to being in the Hooked & unhooked position.

**SUPPLIED WITH:**

- A - 5/5 SINGLE WALL TAP – ½" Female Inlet
- B - 5/5 16" RISER
- C - 5/5 WALL BRACKET
- D/E - 5/5 SPRING RETAINER + HOOK (C.P. 5/5)
- F - 5/5 SPRING GUARD w/ Chrome Plating
- G - 5/5 ARMOURFLEX HOSE 900 mm LONG
- H/I - 5/5 SPRAY GUN & HANDLE (WELS 6 Star - 3.5lpm)

Ø25 WALL HOLE SIZE

**SPRAY GUN INTERCHANGABLE SPRAY TIPS**

**Spray Tip Supplied Fitted**

**Other Spray Tips Supplied**

FLAT FAN

SHOWER

PULSE

