



**GLOBAL**  
TAPWARE

# 'Global WASH-WARE™' HOSE REEL – Plastic w/ Metal Wall Bracket

## HOSE REEL & METAL BRACKET

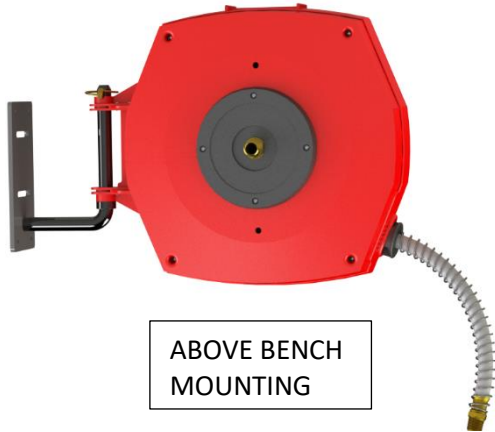
Pt. No. :- **GTHR1215RED-MBB**

RRP \$ \_\_\_\_\_ + GST

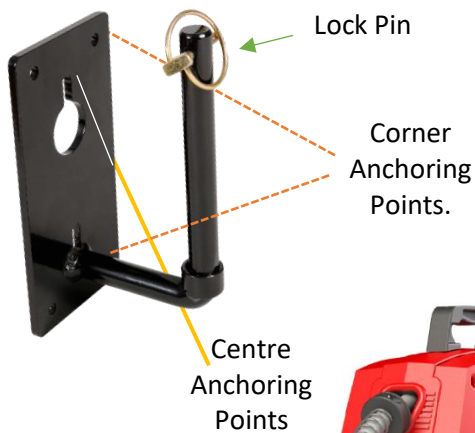
Opt. 2 - HOSE REEL, METAL BRACKET + GUN

Pt. No. :- **GTHR1215RED-MBB-SGPA**

RRP \$ \_\_\_\_\_ + GST



ABOVE BENCH  
MOUNTING



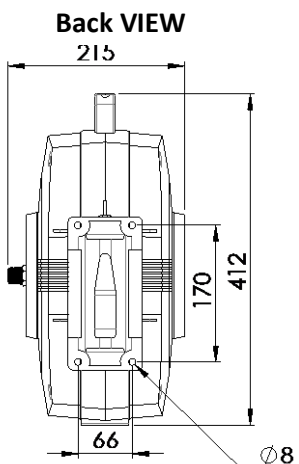
Lock Pin

Corner  
Anchoring  
Points.

Centre  
Anchoring  
Points

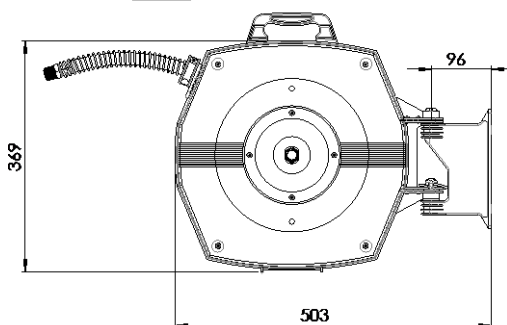


BELOW BENCH  
MOUNTING



Back VIEW  
215

SIDE VIEW



## Features: REEL

- Suits Hot & Cold water.
- Hybrid PVC Hose – 12mm i.d.
- Handle mount on top for easy carrying – if relocating.
- Anti-Kink S/S Spring.
- Metal Wall Bracket – Powder Coated BLACK
- Supplied with Inlet Hose,
- Above bench Mounting- Turn upside down.
- Below Bench Mounting – Standard Mounting

## Technical:-

Mounting Hole : **8mm x 4**

Material :-

Reel : **Red Polypropylene Plastic**

Bracket : **Matt Black Metal Steel \***

Hose : **PVC Hybrid**

Working Press. : **500kpa. (NPC)**

Max. Press. rate : **1400kpa. (occasional)**

Operating Temp : **1 - 60° C. (Short burst at 75°)**

If constantly over 75° change to a Rubber Hose.

\* NOTES – Paint may chip or wear. It is made to a price point. Enquire with us if you Stainless Steel.

(Beware it will cost significantly more, especially in small qty.)

## WARRANTY:

12 Months for Commercial use. Conditions apply.

No Warranty if:-

- 1 – Installed incorrectly.
- 2 – Abuse / Misuse by End User.
- 3 – Failure to comply with conditions stipulated on supplied Wall Sticker. – Regular Hose Cleaning with Vegetable oil, tugging on the hose, failing to take gun / hose back the reel, allowing hose & gun to wind back un-assisted from distance, Not marking hose when reel is lost to view.

**Global Tapware Pty Ltd**

E – [sales.info@globaltapware.com](mailto:sales.info@globaltapware.com)

P – 07 38 55 2350

P – 1300 85 25 15

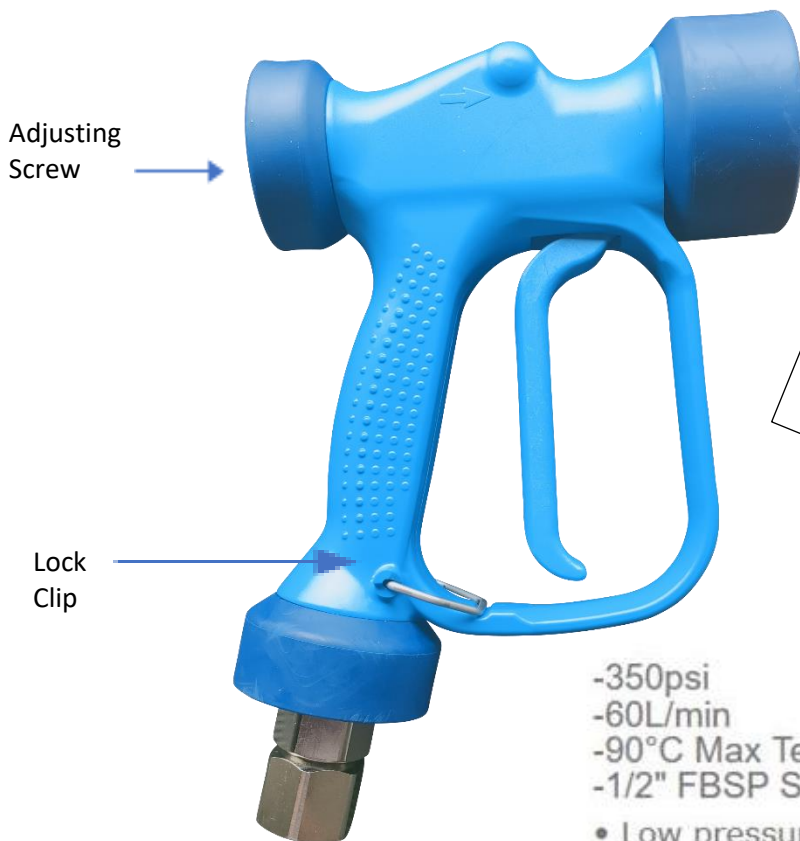
W- [GLOBALTAPWARE.COM.AU](http://GLOBALTAPWARE.COM.AU)



**GLOBAL**  
TAPWARE

## 'SupaWASH™' is Super tough

Wash Down Gun – Pt. No. **GW-WDG12SV** @ RRP \$ \_\_\_\_\_ + GST



**NEW PRODUCT**

-350psi  
-60L/min  
-90°C Max Temperature  
-1/2" FBSP Swivel Inlet

- Low pressure gun with conical/pencil jet controlled by the trigger
- Adjustable screw to vary cone width from 0° to 60°
- Covered by semi-housings of non-stainable shockproof plastic, entirely sealed and with 3 rubber protective rings
- Plastic trigger protected by hand guard
- Minimum fatigue for trigger opening and use
- Internal structure in brass and stainless steel
- Ergonomic construction

GLOBAL TAPWARE Pty Ltd  
Building 5, Unit 1, 29 – 31 Timms Rd  
Everton Hills. Qld 4053  
P – 1300 85 25 15  
E – [sales.info@globaltapware.com](mailto:sales.info@globaltapware.com)  
W – [globaltapware.com.au](http://globaltapware.com.au)