



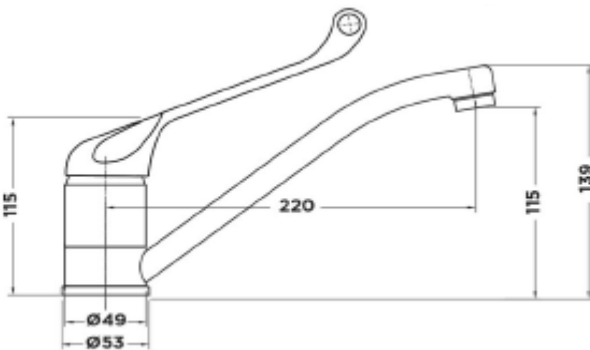
GLOBAL
TAPWARE

'Global MixA™' Standard SINK Model w- Two Handles

Chrome Product Code :- **GMS**
RRP \$ _____ + GST



Above Mixer is supplied with this
'**Care Lever**' Handle as standard.
+ Yellow / blue indicator



Features:

- Supplied with Standard Handle & Lever / Care Handle
- 2 Coloured Indicator Buttons Red / Blue Yellow / Blue
- Braid SOFTPEX inlet Hoses (Safety Feature)
- 40mm Ceramic Disc Cartridge.
- Chrome Plated Brass.
- Swivel Spout – 220mm reach.
-

WARRANTY:

- 12 Months for Commercial use

Technical:-

Australian Standards : **Watermarked**
WELS Reg. : **T40186**
WELS Rated : **4 Stars**
Flow Rate : **7.5 lpm**

Mounting Hole : **32 - 35mm**
Material : **DZR Brass**
Finish 1 : **Chrome Plated**

Working Press. : **500kpa. (NPC)**
Max. Press. rated : **1500kpa.**
Operating Temp : **1 - 80° C.**

Global Tapware Pty Ltd
E – sales.info@globaltapware.com
P – 07 38 55 2350
P – 1300 85 25 15

W- GLOBALTAPWARE.COM.AU

