

# 'Global MixA' SHORT SINK model or SWIVEL BASIN model

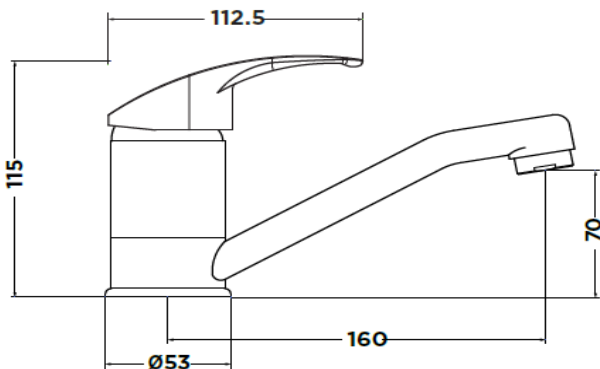
w/ Two Handles

Chrome Product Code :- **GMB-SVL**

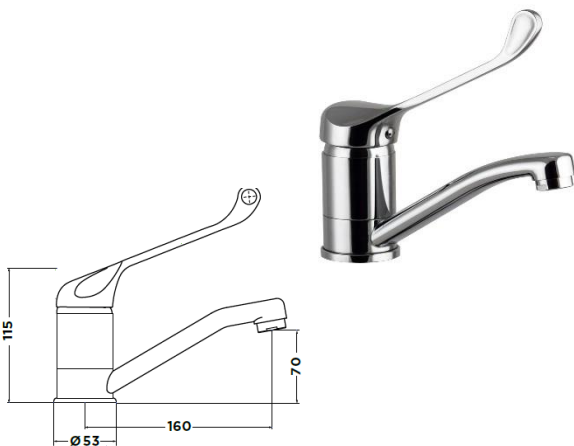
RRP \$ \_\_\_\_\_ + GST





Option 1 –  
Standard Handle – as fitted



Option 2 –  
Lever Handle – Supplied as option



## Features:

- Standard & Lever Handles included in same box.
  - 2 Indicator Buttons incl'd – **Red/Blue & Yellow / Blue**
- 

- S/S Braid PEX inlet Hoses (Safety Feature)
  - 40mm Ceramic Disc Cartridge
  - Chrome Plated Brass.

## WARRANTY:

- 12 Months for Commercial use

## Technical:-

Australian Standards : **Watermarked**  
 WELS Reg. : **T41444**  
 WELS Rated : **5 Stars**  
 Flow Rate : **5.5 lpm**

Mounting Hole : **32 -35mm**  
 Material : **DZR Brass**  
 Finish 1 : **Chrome Plated**

Working Press. : **500kpa. (NPC)**  
 Max. Press. rated : **1500kpa.**  
 Operating Temp : **1 - 80° C.**

Global Tapware Pty Ltd  
 E – [sales.info@globaltapware.com](mailto:sales.info@globaltapware.com)  
 P – 07 38 55 2350  
 P – 1300 85 25 15

W- [GLOBALTAPWARE.COM.AU](http://GLOBALTAPWARE.COM.AU)