



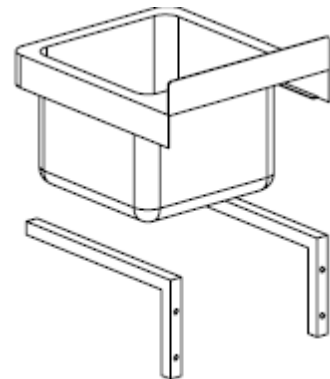
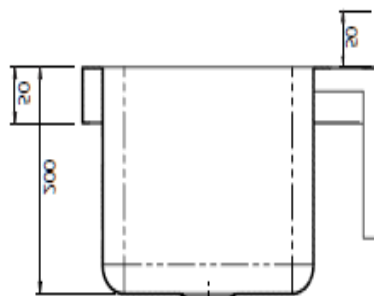
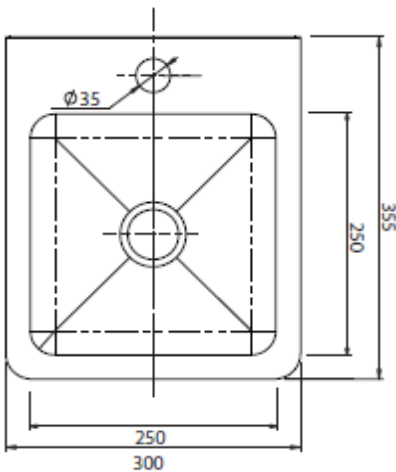
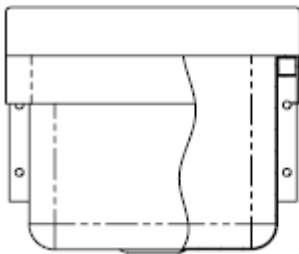
GLOBAL
TAPWARE

Global iNOX

HAND BASIN – SLIM LINE

Pt. No. :- GI-XHB-SL

rrp :- \$ _____ + GST



TECHNICAL DETAILS:

DIMENSION 1 :- 300mm wide x 355mm length x 200mm depth / 50mm Splash back

DIMENSION 2 :- Bowl = 250mm x 250mm

SUPPLIED w- :- Wall Brackets (pr) + 40mm Plug & Waste

Material :- SS304

Tap Hole :- 1 x 35mm

Litres :- 12.5 Lt.

Ph. 1: 1300 85 25 15

Ph. 2: 07 3855 2350

E: sales.info@globaltapware.com

WWW.GLOBALTAPWARE.COM.AU

HBN.V1.B.2022