

# "GLOBAL FISHER" – 'R.O. RANGE' - Pre-Rinse - HOB Made in Australia

By Global Tapware Pty Ltd

[www.globaltapware.com.au](http://www.globaltapware.com.au)

1300 85 25 15

These fully Stainless-Steel Pre-Rinses are designed for applications that require a range of spray tips to carry out various functions for R.O. Applications. Something that is **gentle** but also **tough** and **robust**.

These units are very suitable for the CSSD & the more demanding Commercial Kitchen Environments. They are made from 304 Stainless steel and are fully Watermarked and 6 Star WELS rated for Spray Gun & 3 Star for the Aerator Spouts.

The Inner Tube of the Pre-Rinse Hose is supplied with either Santoprene or EPDM (depending on availability at time of manufacture). With Taps rubber seats made from NBR rubber. All comply to AS4020 & suitable for RO water.

### Technical Information: -

Safe Constant Working Temperature range is: **4 – 65d C / occasional peaks up to 85d C**

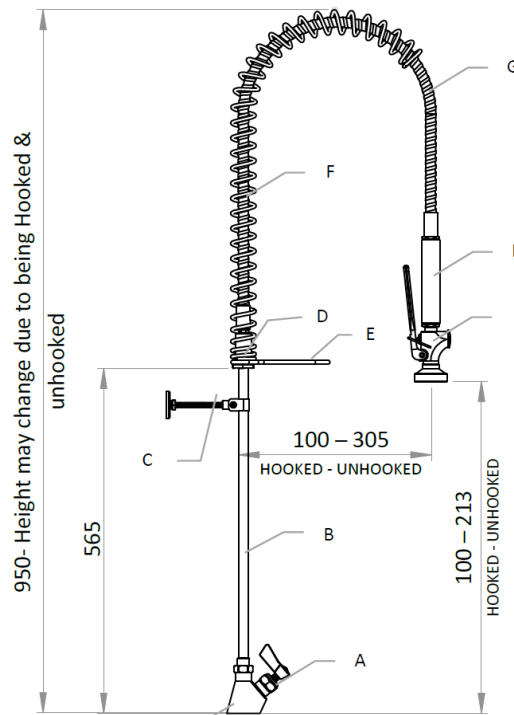
Safe Operational Working Pressure range is up to: **500kpa / Max. 1379 kpa**

**Pt. No. -GF022100-SS**

25mm Bench Hole



Supplied with Wall Bracket "KNUCKLE"



Wmk Lic. 0308

WELS Reg. T14473

WELS Star:- 6 Stars

WELS LPM:- 4.5 lpm



**Pt. No. - (A) GF022506-SS (B) GF022508-SS (C) GF022510-SS (D) GF022512-SS (E) GF022514-SS**

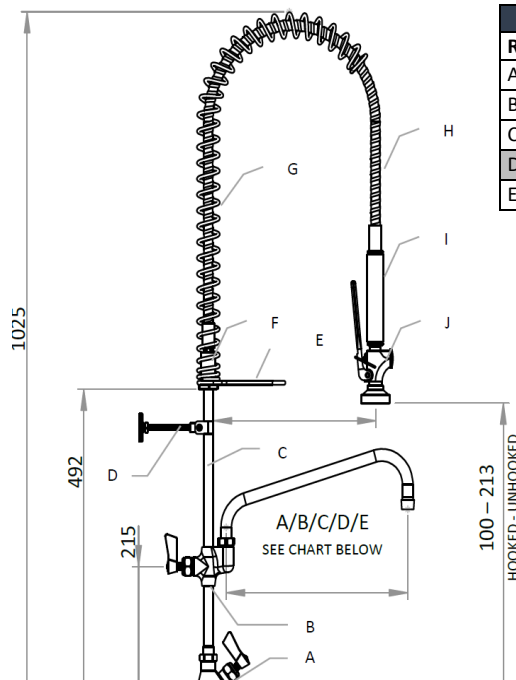
25mm Bench Hole



Supplied with Wall Bracket "KNUCKLE"



New Style S/S Pot Filler



STANDARD SPOUTS Dimensions		
REF	LENGTH IN/mm	Height to Aerator
A	6"/153mm	6mm
B	8"/203mm	36mm
C	10"/254mm	41mm
D	12"/300mm	56mm
E	14"/356mm	56mm



Wmk Lic. 0308



WELS Reg. T14474

WELS Star:- 6 Stars

1- WELS LPM:- 4.5 lpm

2- WELS LPM:- 9 lpm

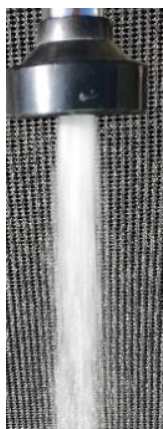
We reserve the right to change, modify, alter products & drawings as when required without notice.

### Spray Gun Options

(incl.s Speaial Low Aerosol Spray Tip for RO Applications)

### Interchangeable Triple Heads - Spray Patterns

Stdd 15d ‘Flat Fan’ / ‘Shower Spray’ / Straight Stream / Soft Wide ‘Shower Spray’



Comes already Fitted  
w- RO Shower Tip.



Low Aerosol Spread.



Tool in action



Repair Kit available  
Pt. No. G50KIT

**S/S “KNUCKLE” :**

These RO Units come with this special part so that the wall bracket can be fitted to the 45degree splashback or any other angle / Position.

There are 3 x M5 S/S Grub Screws on each end to hold the rod securely.

Part is also sold separately.

**“KNUCKLE”**



=



**GLOBAL TAPWARE PTY LTD**

P O Box 5737, Stafford Height Qld. 4053

P 07 3855 2350      P 1300 85 25 15

E [sales.info@globaltapware.com](mailto:sales.info@globaltapware.com)

W [globaltapware.com.au](http://globaltapware.com.au)