

"GLOBAL FISHER" – 'R.O. RANGE' - Pre-Rinse – WALL

Made in Australia By Global Tapware Pty Ltd

www.globaltapware.com.au

1300 85 25 15

These fully Stainless-Steel Pre-Rinses are designed for applications that require a range of spray tips to carry out various functions for R.O. Applications. Something that is **gentle** but also **tough** and **robust**.

These units are very suitable for the CSD & the more demanding Commercial Kitchen Environments. They are made from 304 Stainless steel and are fully Watermarked and 6 Star WELS rated for Spray Gun & 3 Star for the Aerator Spouts.

The Inner Tube of the Pre-Rinse Hose is supplied with either Santoprene or EPDM (depending on availability at time of manufacture. With Taps rubber seats made from NBR rubber. All comply to AS4020 & suitable for RO water.

Technical Information: -

Safe Constant Working Temperature range is: **4 – 65d C / occasional peaks up to 85d C**

Safe Operational Working Pressure range is up to: **500kpa / Max. 1379 kpa**

Pt. No. GF152100-SS



2 x 25mm Holes



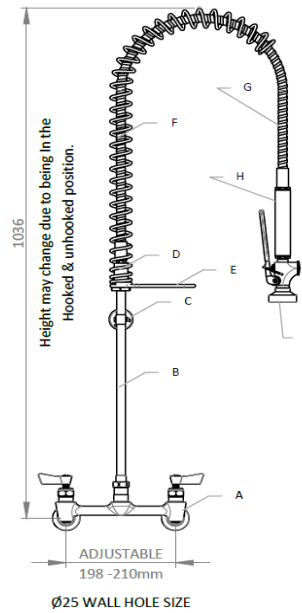
Wmk Lic. 0308



WELS Reg. TM36001

WELS Star:- 6 Stars

WELS 1 :- 4.5 lpm



Supplied with Wall Bracket "KNUCKLE"

WELS Reg. Pre-Rinse is our 12" spout = Pt. No. GF152512-SS

Other WELS Spouts (6") GF152506-SS (8") GF152508-SS (10") GF152510-SS (14") GF152514-SS



2 x 25mm Holes



Wmk Lic. 0308



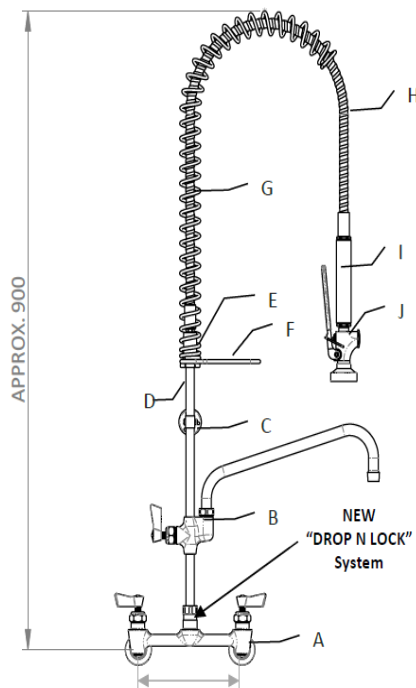
WELS Reg. T14484

WELS Star:- 6 Stars

WELS 1:- 4.5 lpm



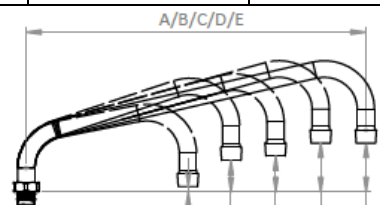
WELS 2:- 9 lpm



Supplied with Wall Bracket "KNUCKLE"

STANDARD SPOUTS Dimensions

REF	LENGTH IN/mm	Height to Aerator
A	6"/153mm	6mm
B	8"/203mm	36mm
C	10"/254mm	41mm
D	12"/300mm	56mm
E	14"/356mm	56mm



We reserve the right to change, modify, alter products & drawings as when required without notice.

"GLOBAL FISHER" – 'R.O. RANGE' - Pre-Rinse - HOB

Made in Australia By Global Tapware Pty Ltd

www.globaltapware.com.au

1300 85 25 15

(incl.s Special Low Aerosol Spray Tip for RO Applications)

Optional Interchangeable Triple Heads - Spray Patterns

Stdd 'Shower Spray' / 15d 'Flat Fan' / Straight Stream / SOFT 'Shower Spray'



Comes already fitted w- RO Shower Tip



Low Aerosol Spread.



Tool in action



Spray Gun + 3 extra Tips in bag



Spray Gun Repair Kit available

S/S "KNUCKLE" :

These RO Units come with this special part so that the wall bracket can be fitted to the 45degree splashback or any other angle / Position.

There are 3 x M5 S/S Grub Screws on each end to hold the rod securely.

Part is also sold separately.



GLOBAL TAPWARE PTY LTD

P O Box 5737, Stafford Height Qld. 4053

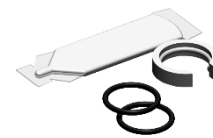
P 07 3855 2350 P 1300 85 25 15

E sales.info@globaltapware.com

W globaltapware.com.au

Products Must be installed in accordance with the requirements of AS/NZS3500

Tap Repair Kits available.



Spout Kit

Pot Filler Tap

Hot / Cold Tap

