



GLOBAL
TAPWARE

'Global Fisher™' S/S Standard Pre-Rinse

'TALL' 1000mm (unhooked) – 1050mm (hooked)

Pre-RINSE Exposed Wall Breach



Available Now

The KNUCKLE. Allows Adjustable Wall Bracket Mounting System. Sold separately.



New S/S improved, Watermarked PR Hose, w- ½" FI Ends

New Stainless Spray Gun w- Interchangeable Spray Tips

NOW Made with 'Drop N Lock' system

Product Code :- **GF152100** *1
RRP \$ _____ + GST

- *1 More Products under the GF032512 Code :-**
- GF152100-M (Midi model - short 750)
 - GF152100-C (Café model - short 650)
 - GF152100-A (Adjustable Height)
 - GF152100-SS (Made for RO Applications)

Features:

- All Component made from quality polished 304 S/S.
- Squeeze Lever has Lock-On & Quick release shut off - (OH&S Feature)
- Hot & Cold Lever Handles.
- "Drop N Lock" easy Installation System.
- Pre-assembled & tested Sub-Assembly in our Brisbane factory.
- Triple Interchangeable Spray Tips- Flat Fan, Shower, Pulse.
- Good Flex & Reach.

WARRANTY:

- 36 Months for Commercial use

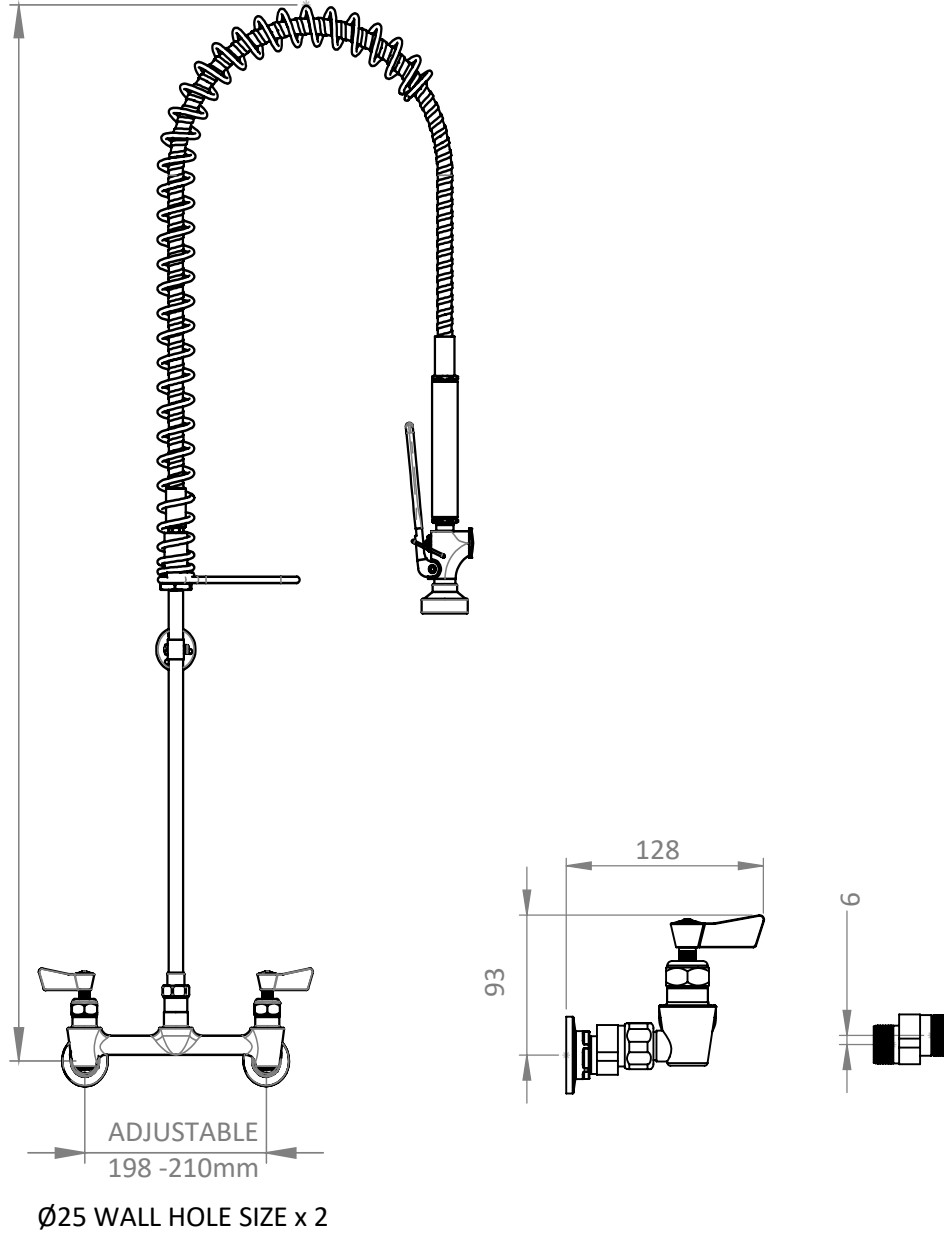
Technical:-

Australian Standards	: Watermarked Lic. 23008
WELS Reg. No.	TM36001
1st Outlet	Spray Gun :
WELS Rated	: 6 Stars
Flow Rate	: 3.5 lpm
2nd Outlet	N/A
WELS Rated	: n/a
Flow Rate	: n/a
Mounting Hole	: 25mm
Material	: 304 S/S
Finish	: Polished S/S
Working Press.	: 500kpa. (NPC)
Max. Press. rate	: 1500kpa.
Operating Temp	: 1 - 80° C.

Global Tapware Pty Ltd
E – sales.info@globaltapware.com
P – 07 38 55 2350
P – 1300 85 25 15
W- GLOBALTAPWARE.COM.AU

1036

Height may change due to being in the Hooked & unhooked position.



SPRAY GUN INTERCHANGABLE SPRAY TIPS

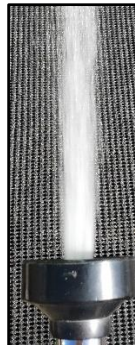
Spray Tip Supplied Fitted

FLAT FAN

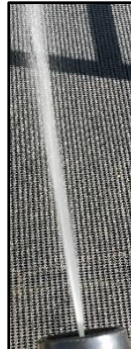


Other Spray Tips supplied.

SHOWER



PULSE



All Products Must be installed in accordance with the requirements of AS/NZS3500