

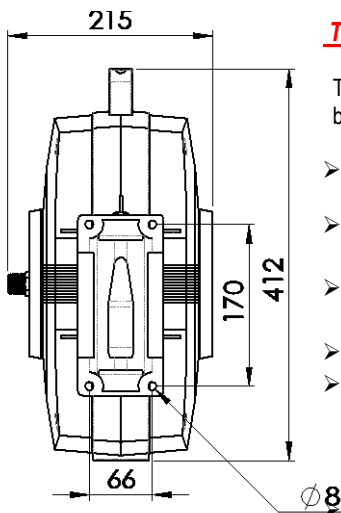
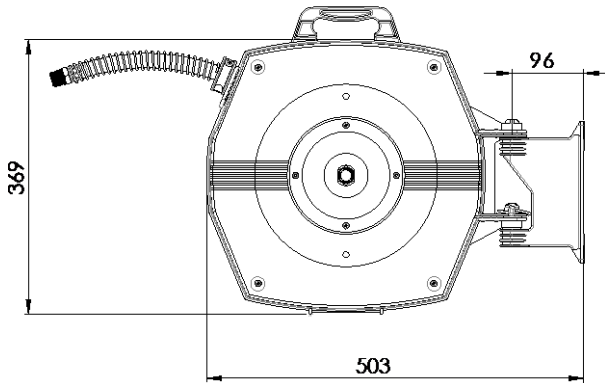


**GLOBAL
TAPWARE**

GLOBAL WASH-WARE HOSE REEL / Gun

Wash Ware

All Products & Brochure Designs / Drawings / Concepts are Copy Right Protected



TECHNICAL INFORMATION

The PVC hose has limitations as explained below:-

- Max. Working Pressure. As per NPC = **500 kpa**
- Max. Peak Working Pressure. - **203 psi (1400 kpa)**
- Cont. operating temp. - **60°C** with short bursts up to 75°C
- Not suitable for steam.
- **WARNING 1:-** Constant High Temperature water at above 70°C may cause the end fitting/s to pop off.
– use a rubber hose.
- **WARNING 2:-** Some Fats, MSG & some Cleaning Chemicals can cause the PVC Hose to dry out, work harden and crack & eventually Breaks or blows out.
– This Situation is **NOT COVERED** by Warranty. – Use a Rubber Hose instead. --

(B2) Wall Hanging Bracket. Horizontal Hanging.

For use **above 1mt to 1.8mt**

Pt. No.: GTHRWBKT-MT RRP \$ _____ + GST

(B3) Wall Mount Bracket - VERTICAL Hanging

For use **above 1.8mt.**

Pt. No.: GTHRWBKT-MT RRP \$ _____ + GST

NOTE – We have completely new Product Codes that include Reel, Metal Bracket & Gun. Send request by email

Replacement Add-On Hose Extension:

250mm x 1/2" M x 1/2" F

Pt. No.: GTHWHSGEXT RRP \$ _____ + GST

Details accurate at the time of printing. Dimensions are indicative only and may change without notice, seek confirmation before relying on any dimensions shown.



Hose Reel only.

Pt. No.: GTHR1215RED

RRP \$ _____ + GST

Inlet Feed Hose

included

12id x 1.5mt
x 1/2" FI x 3/4" FI

Hose Reel & Gun.

Pt. No.: GTHR1215REDSG

RRP \$ _____ + GST

This '**AUSSIE MADE**' HOT WASH HOSE REEL is time proven to be TOUGH & ROBUST and very reliable. It is backed up with Global Tapware's 12mth warranty or Loan Reel Program.

Since 2011 we have overcome some harsh abuse by end users. But these improvements have now reached their Engineering limits. We have reduced Genuine Warranties to around a few percent p.a. This Reel represents great value for money and performance. We are now getting great longevity from them, but abuse, lack of or no training cannot be engineered out.

The Hose itself does have some limits such as Extremely High Temperature, Fats, MSG, various Chemicals. We strongly switching to a full Rubber Hose which is more suited – POA.

Features & Inclusions:

- **Hybrid Hose** - Special blended PVC & Nitrile Rubber – supplied in 12mm i.d. for higher flow rate.
- Full **Plastic Body** with Aluminium & Nylon inner workings = NO heat Transfer to end user.
- **(B1) - One Piece PLASTIC 180° Swivel Bracketing system** with lock pin. For use **below 1mt** above Floor Level.
- **Includes Inlet Feed Hose – 1.5 1/2" F x 3/4" F**
- **Unique** to this reel we have fitted an **Anti-Kink Spring Guard** on end of hose.
- **Unique** to this reel is a **Side Access to Latch**. Abuse can cause jamming.
- **12-month warranty** on **Reel & Hose** for genuine Faults. Abuse or not applying Guidelines will void warranty.
** (See Wall Sticker supplied)
- **LOAN REEL** - We Offer a Unique program to help you save money. – Discuss with us about your needs. -

Phone: 1300 852 515 or 07 3855 2350

Email: sales.info@globaltapware.com

www.globaltapware.com.au



GLOBAL
TAPWARE

GLOBAL WASH-WARE SUPA-WASH GUN

Wash Ware

Pt. No. GUNNA-BLU

RRP \$ _____ + GST



These Quick Release
Plug & Coupling are
fitted to gun Inlet.



**We also Supply the Same Wash Down
Gun with Red or White Covers.**



Pt. No. GUNNA-RED

RRP \$ _____ + GST



Pt. No. GUNNA-WH

RRP \$ _____ + GST

Details accurate at the time of printing. Dimensions are
indicative only and may change without notice, seek
confirmation before relying on any dimensions shown.

SPRAY PATTERNS

-GUNNA SPRAY PATTERNS-



FAN SPRAY - Pull trigger slightly



JET / STRAIGHT STREAM - Pull trigger full on

**The 'SUPA-WASH GUN' is a tough,
robust wash down gun suitable most
rugged conditions.**

Features:

- Built from S/ ment Cast body and S/S internal fittings.
- S/S 1/2" BSP Swivel FemalS Investe connection
- Non Slip Rubber Covers – Replaceable if required
- Trigger Guard – OH&S suitable.
- Easy Volume Adjustment
- Fan spray or Jet Stream
- Suitable for Hot or Cold water.
- 12-month replacement warranty.

- Max. Constant Working Pressure:- 500 kpa
- Max. Constant Working temperature:- 70-80°C
- Not suitable for steam.

Phone: 1300 852 515 or 07 3855 2350

Email: sales.info@globaltapware.com

www.globaltapware.com.au

All Products & Brochure Designs / Drawings / Concepts are Copy Right Protected