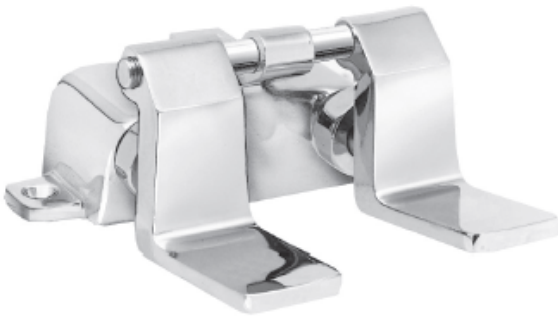




Foot – Knee Valves



PROBLEM:

Hot water coming out of cold side or cold water coming out of hot side

LOCATION	CAUSE	ACTION
Inlet connections or body valve	Supply lines crossed when installed. There is a hole in the internal casting.	Switch supply line. Replace with valve.

STEPS TO CORRECT PROBLEM

STEP 1: Turn off angle stops twist them clockwise as much as you can.

STEP 2: Tools needed Crescent Wrench & Teflon Tape.

STEP 3: Remove Supply lines with Crescent Wrench then put Teflon tape to threads on the supply line connect supply lines to correct connection hot with hot and cold with cold.

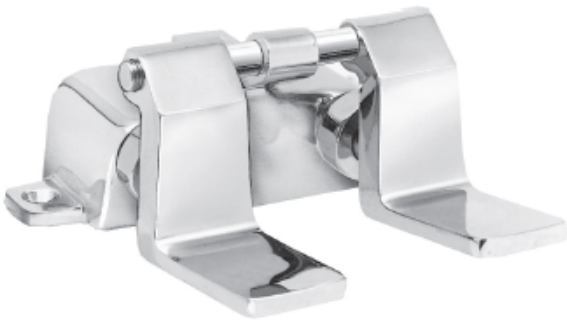
STEP 4: Tighten supply lines with Crescent Wrench.

STEP 5: Turn angle stops back on.

STEP 6: Test for leaks.



Foot – Knee Valves



PROBLEM:
**Valve leaks on out
port connection**

LOCATION	CAUSE	ACTION
Inlet connections	Supply line connected to the "OUT" port on back of valve	Re-connect supply line to the "IN" port

STEPS TO CORRECT PROBLEM

STEP 1: Turn off angle stops twist them clockwise as much as you can.

STEP 2: Tools needed Crescent Wrench & Teflon Tape, or pipe dope.

STEP 3: Remove Supply lines with Crescent Wrench and put Teflon tape or pipe dope to threads on the supply line connect supply lines to IN connections.

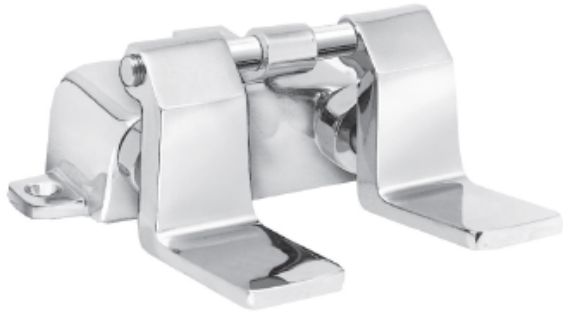
STEP 4: Tighten supply lines with Crescent Wrench.

STEP 5: Turn angle stops back on.

STEP 6: Test for leaks.



Foot – Knee Valves



PROBLEM:
Valve leaks at inlet connections

LOCATION	CAUSE	ACTION
Inlet connections	Supply line not installed properly	Tighten or apply pipe dope or Teflon tape to threads

STEPS TO CORRECT PROBLEM

STEP 1: Turn off angle stops twist them clockwise as much as you can.

STEP 2: Tools needed Crescent Wrench & Teflon Tape or Pipe Dope.

STEP 3: Remove Supply lines with Crescent Wrench and put Teflon tape or Pipe Dope to threads on the supply line connect supply lines to IN connections.

STEP 4: Tighten supply lines with Crescent Wrench.

STEP 5: Turn angle stops back on.

STEP 6: Test for leaks.



Foot – Knee Valves



PROBLEM:

**Valve leaking
from front of valve
behind pedal**

LOCATION	CAUSE	ACTION
Cylinder	Internal cylinder gasket is missing or damaged	Install or replace cylinder gasket #73793

STEPS TO CORRECT PROBLEM

STEP 1: Turn off angle stops twist them clockwise as much as you can.

STEP 2: Tools needed Crescent Wrench.

STEP 3: Remove the nut on valve by turning it counterclockwise using Crescent wrench.

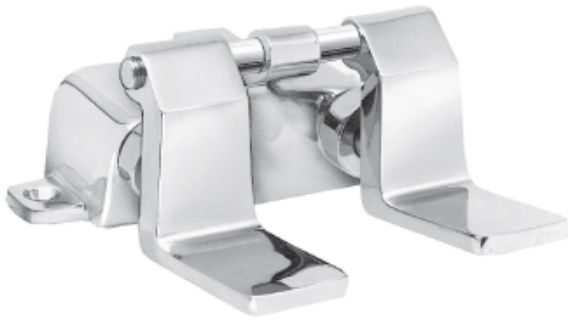
STEP 4: Then slide cylinder out of valve by hand making sure cylinder gasket comes out as well. Replace with new gasket #73793 slide over cylinder stem make sure it sits on groove of stem.

STEP 5: Slide stem back into body valve and tighten with crescent wrench

STEP 6: Turn on water supply and check for leaks.



Foot – Knee Valves



PROBLEM:
**Valve leaking from
back of valve on IN
connections**

LOCATION	CAUSE	ACTION
Body valve	Cylinder o-ring missing or damaged	Install or replace cylinder o-ring #1600-5000

STEPS TO CORRECT PROBLEM

STEP 1: Turn off angle stops twist them clockwise as much as you can.

STEP 2: Tools needed Crescent Wrench.

STEP 3: Remove the nut on valve by turning it counterclockwise using Crescent wrench.

STEP 4: Then slide cylinder out of valve by hand making sure cylinder gasket comes out

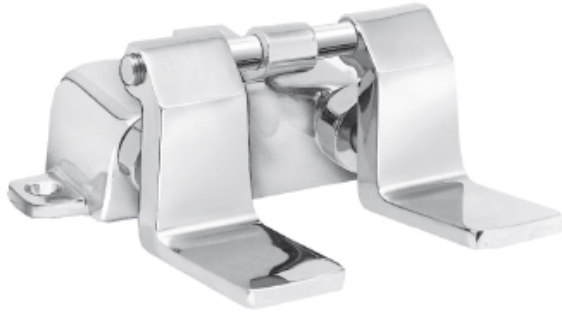
as well. Remove o-ring with a sharp curved point end point and replace with new cylinder o-ring #1600-5000. Slide cylinder gasket #73793 over cylinder stem make sure it sits on groove of stem.

STEP 5: Slide stem back into body valve and put tightened with crescent wrench

STEP 6: Turn on water supply and check for leaks.



Foot – Knee Valves



PROBLEM:
Valve will not shut off or leaks

LOCATION	CAUSE	ACTION
Cylinder Body Valve	Gouges in cylinder. Bonnet nut not fastened correctly or threads damaged.	Replace cylinder 3070-0000 or 12491. Tighten or replace bonnet nut 3071-3303.

STEPS TO CORRECT PROBLEM

OPTION 1

STEP 1: Turn off angle stops twist them clockwise as much as you can

STEP 2: Tools needed Crescent Wrench.

STEP 3: Remove the nut on valve by turning it counterclockwise using Crescent wrench.

STEP 4: Then slide cylinder out of valve by hand making sure cylinder gasket comes out as well. Replace with new stem cylinder 3070-0000 or 12491. Make sure the cylinder gasket #73793 slides over cylinder stem make sure it sits on groove of stem.

STEP 5: Slide stem back into body valve and put tightened with crescent wrench .

STEP 6: Turn on water supply and check for leaks.

OPTION 2

STEP 1: Turn off angle stops twist them clockwise as much as you can.

STEP 2: Tools needed Crescent Wrench.

STEP 3: Remove the bonnet nut on valve by turning it counterclockwise using Crescent wrench then slightly tighten bonnet back up or replace with new bonnet nut 3071-3303.

STEP 4: Turn on water supply and check for leaks.