



18" Product Code :- **GS02G3518**

24" Product Code :- **GS02G3518B**

## Features:

- Suit Hot or Cold
- Spring Jumper Valve in Hob Tap.
- Fixed Jumper On End Tap.
- Either 7" or 12" Double Swivel Arm fitted to Tap body
- 12" Swivel End Tap Spout.
- Spout Service Kits available
- Tap Repair Kits Available

## WARRANTY:

- 36 Months for Commercial use

## Technical:-

Australian Standards : **Watermarked**

**WELS Reg.** : **TM41201**

WELS Rated : **3 Stars**

Flow Rate : **9 lpm**

Mounting Hole : **22 - 25mm**

Material : **304 Stainless**

Finish 1 : **Polished**

Working Press. : **500kpa. (NPC)**

Max. Press. rate : **1500kpa.**

Operating Temp : **1 - 80° C.**

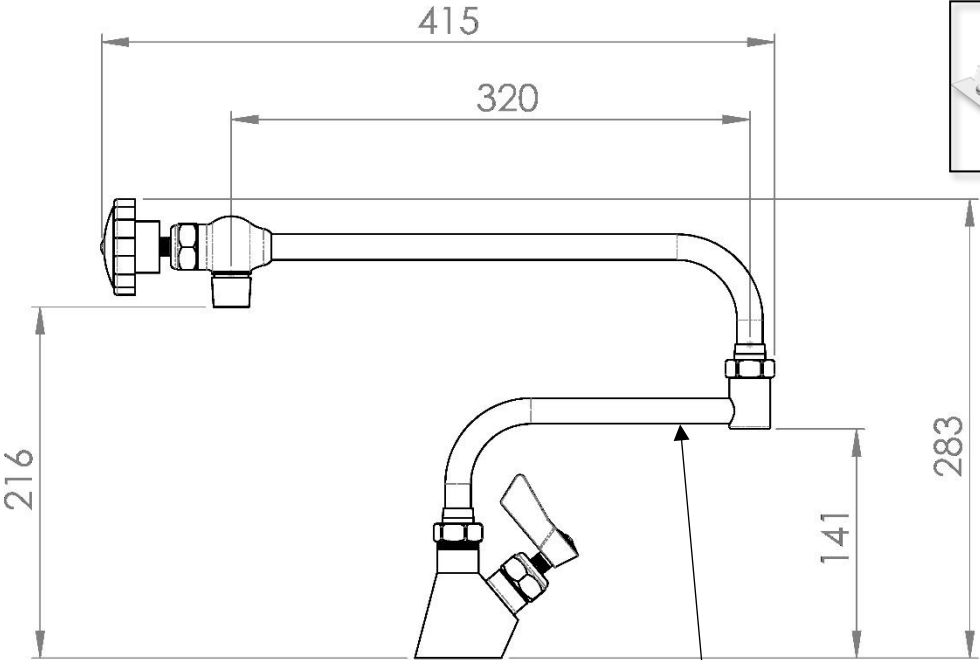


Global Tapware Pty Ltd  
E – [sales.info@globaltapware.com](mailto:sales.info@globaltapware.com)  
P – 07 38 55 2350  
P – 1300 85 25 15

W- **GLOBALTAPWARE.COM.AU**

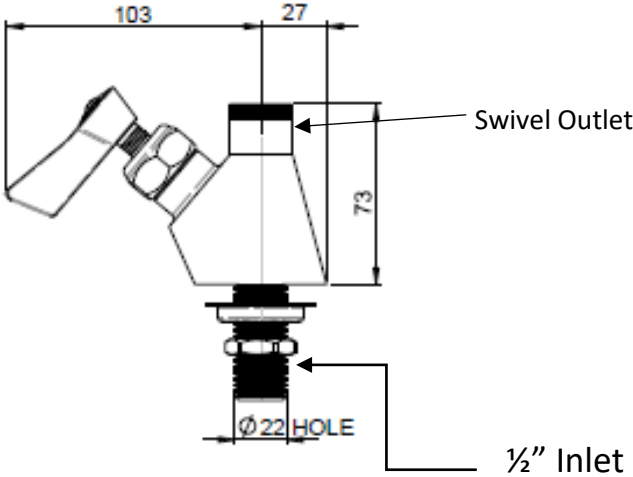


**ITEM A :- Spout Service Kit**



**ITEM B:-** available in 7" or 12"

**ITEM :- C**



Must be installed in accordance with the requirements of AS/NZS3500