



18" Product Code :- **GS11G3518**

24" Product Code :- **GS11G3518B**

Features:

- Suit Hot or Cold
- Spring Jumper Valve On Wall Tap.
- Fixed Jumper On End Tap.
- Either 7" or 12" Double Swivel Arm fitted to Tap body
- 12" Swivel End Tap Spout.
- Spout Service Kits available
- Tap Repair Kits Available

WARRANTY:

- 36 Months for Commercial use

Technical:-

Australian Standards : **Watermarked**

WELS Reg. : **TM41201**

WELS Rated : **3 Stars**

Flow Rate : **9 lpm**

Mounting Hole : **22 - 25mm**

Material : **304 Stainless**

Finish 1 : **Polished**

Working Press. : **500kpa. (NPC)**

Max. Press. rate : **1500kpa.**

Operating Temp : **1 - 80° C.**

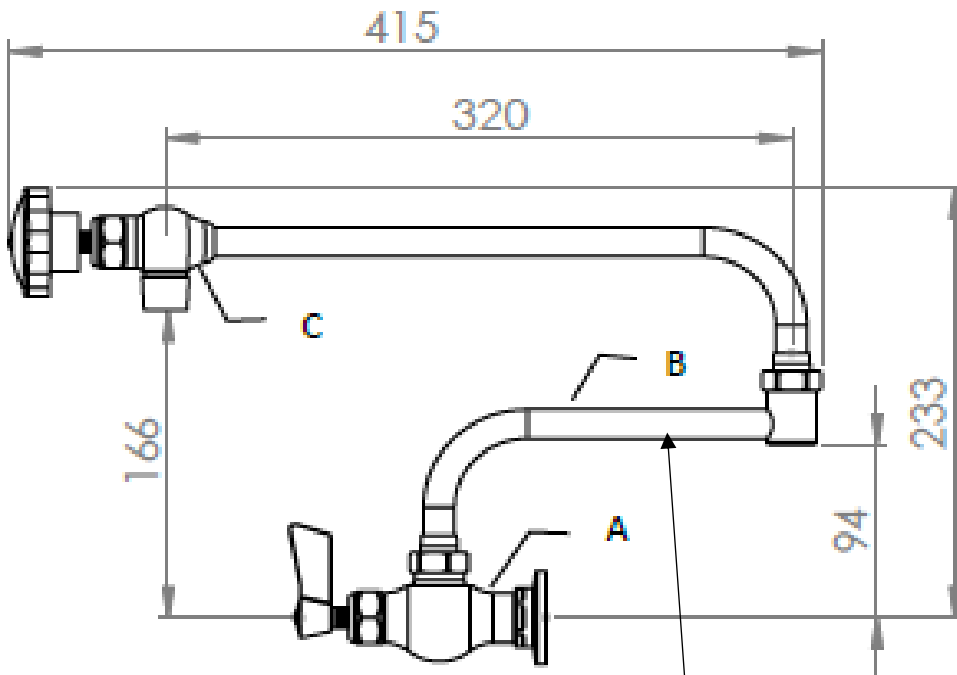
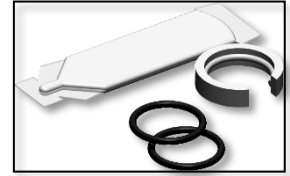


Global Tapware Pty Ltd
E – sales.info@globaltapware.com
P – 07 38 55 2350
P – 1300 85 25 15

W- **GLOBALTAPWARE.COM.AU**

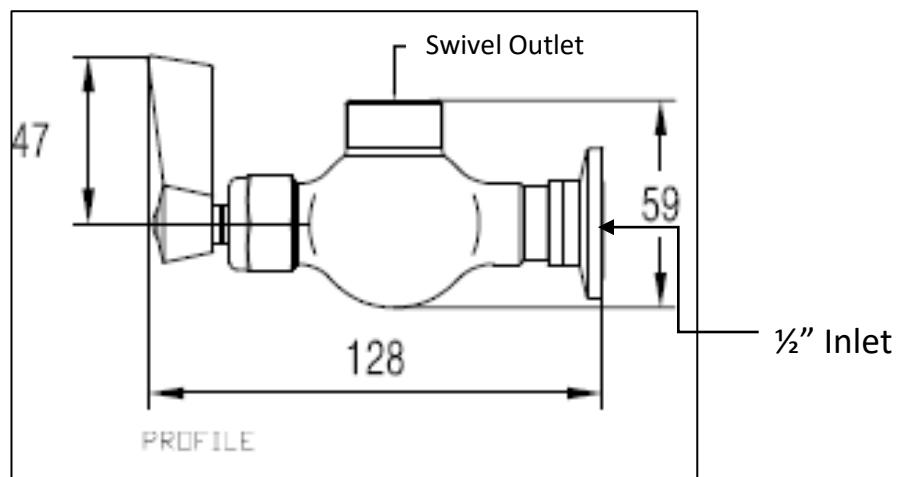


ITEM A :- Spout Service Kit



ITEM B :- available in 7" or 12"

ITEM :- C



Must be installed in accordance with the requirements of AS/NZS3500