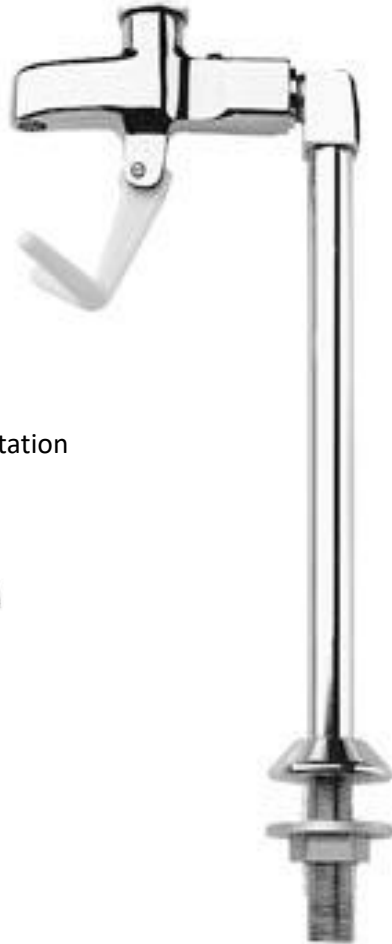




**GLOBAL**  
TAPWARE

## GLASS FILLING PEDESTALS STATIONS

Pt. No. **GCGF300P**



**OPTIONS** : Double Filling Station

Pt. No. **GCGF300PDB**



Pt. No. **GCGFVH**



Repair Kits  
Available



WELS Reg. : PENDING. 5 Star / 5 lpm

### Global Catering Range :

#### GLASS FILLERS –

These Glass Fillers are made from 304 Stainless Steel and Designed for quick and easy filling of Glasses or Jugs by your patrons. Thereby saving staff time & money that can be spent on more important matters.

We have 3 variety shown here. If you require something different, then contact us.

#### **TECHNICAL DETAILS:**

**Materials** - 304 S/S

**Pedestal Height:-** 300mm (Bench Mounted)

**Pressure :-** max. 500 kpa

**Temperature:-** max. 40 degree C

\* Recommend PRV if in excess.

**Flow Controller :-** On top of unit is a small Screw Slot to adjust flow rate.

#### **INSTALLATION**

Installing is simple :-

Drill a 20- 25mm hole in bench top. Drop ½” bsp thread through hole and use the Flanged Lock Nut to tighten on to bench.

\* Make sure the washer is fitted underneath topside mounting flange.

We would recommend using a standard type of water Filter.

**Must be installed in accordance with the requirements of AS/NZS3500**

Global Tapware Pty Ltd

P – 1300 85 25 15 P – 07 3855 2350

E – [sales.info@globaltapware.com](mailto:sales.info@globaltapware.com)

[WWW.GLOBALTAPWARE.COM.AU](http://WWW.GLOBALTAPWARE.COM.AU)

GCGF.V1.A.23





**GLOBAL**  
TAPWARE

## GLASS FILLING PEDESTAL STATIONS w- DRIP TRAY

Pt. No. GCGF300PT



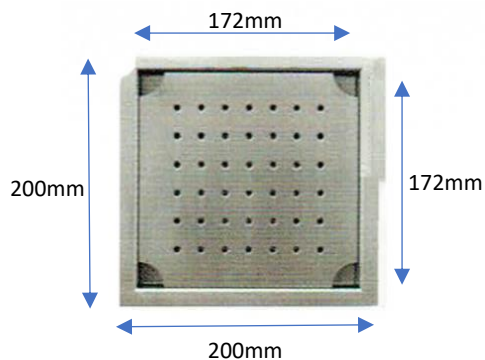
280mm

Water Connection  
is a 1/2" BSP Male

Removable Insert Top piece

## DRIP TRAY DECK INSERT only

Pt. No. GI-DT



Drain Connection  
is a 19mm S/S x  
50mm Spigot

Global Tapware Pty Ltd

P – 1300 85 25 15 P – 07 3855 2350

E – [sales.info@globaltapware.com](mailto:sales.info@globaltapware.com)

[WWW.GLOBALTAPWARE.COM.AU](http://WWW.GLOBALTAPWARE.COM.AU)



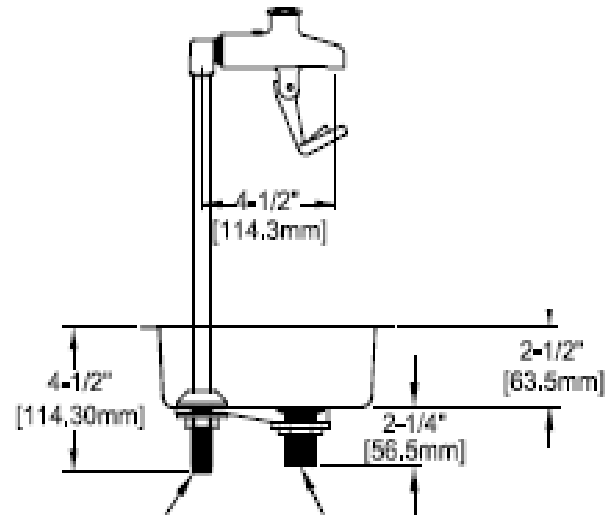
GCGF.V1.A.23



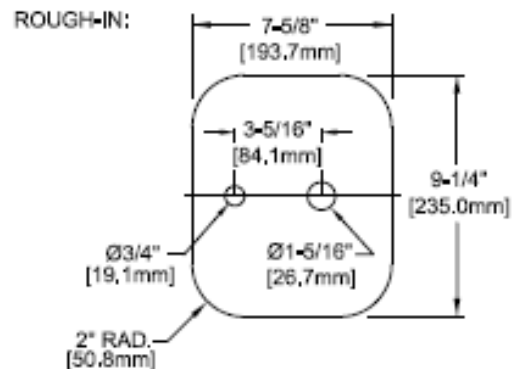
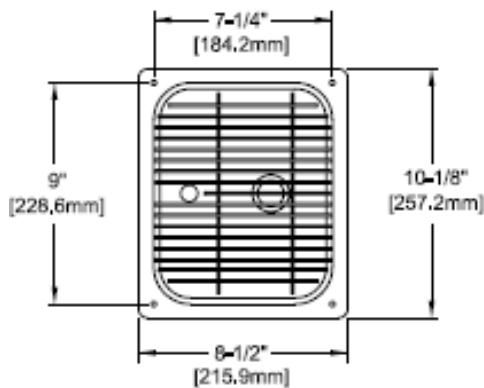
**GLOBAL**  
TAPWARE

## USA GLASS FILLING STATION w- Drop-In Sink included

Pt. No. **GCGF350PSK**



Supplied – 3/8 x 1/2 Bush      32mm Outlet



### **TECHNICAL DETAILS:**

**Materials :-** 304 S/S

**Pedestal Height:-** 355mm (mounted Inside Sink Bowl)

**Pressure :-** 100 psi \* Recommend PRV if in excess.

**Repair Kit:-** Yes, available.

### **INSTALLATION :**

- (1) Cut Hole in Bench using "rough-In" guide above.
- (2) Fit Pedestal to sink using support brace.
- (3) Seal under Sink Flange with suitable silicone.
- (4) Screw on Bush.

Global Tapware Pty Ltd

P – 1300 85 25 15 P – 07 3855 2350

E – [sales.info@globaltapware.com](mailto:sales.info@globaltapware.com)

[WWW.GLOBALTAPWARE.COM.AU](http://WWW.GLOBALTAPWARE.COM.AU)



GCGF.V1.A.23