



**GLOBAL**  
TAPWARE



# Introducing the NEWEST & MOST INNOVATIVE Concept to date in **'KNEE BASINS' – NOW MADE IN 'COLOUR'**

All Spouts:- WELS Reg. T42325. 4 Star / 7.5 lpm

- ✓ Choice of Three [3] Colours. First Time ever on market.
- ✓ All supplied under a Highly Polished Bowl –
  - ✓ A – STAINLESS-STEEL Panels. ( in No. 4 finish)
  - ✓ B – Semi Gloss BLACK Side Panels w- S/S Front Panel.
  - ✓ C – Semi Gloss WHITE Side Panels w- S/S Front Panel.
  - ✓ D – All WHITE Panels.
  - ✓ E – All BLACK Panels
  - ✓ F – S/S Splashback Panel (Can be available in Colour)

**A**



- ✓ Rounded Corner Bowls = OHS Safer

**B**



**C**



- ✓ OHS Safe with Larger Spouts
- ✓ To get whole of arm under.

- ✓ A Better Push Valve.
- ✓ A Simple ON / OFF action.
- ✓ NO Timer Available Yet

- ✓ Designed for Minimal Maintenance
- ✓ Innovative Push / Access Panel. Easier to gain access to Valves & Hoses for maintenance.

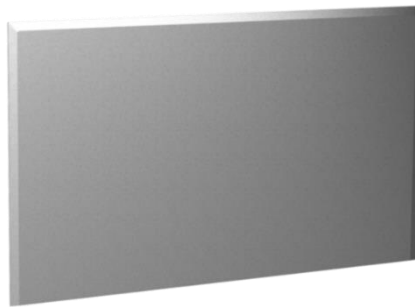
- ✓ A Better Design to fix to wall . A system we design in our earlier model is carried over here for just a one man install = cost savings.

Images are Renderings & may vary slightly from actual product.

- ✓ **2-part Gooseneck Spouts** – w- Grub Screw Lock.  
At 222mm Tall & 170mm reach it Bigger than others on the market Allowing for full Arm emersion.



- ❖ Designed for a 1 man Install, using the 'EASY Fit Kit'.



**S/S Splash Back Panel**  
In No. 4 Finish  
\* Colour (P.O.A.)  
w- 3 Edge Breaks  
520mm (W) x 300mm (H)

Images are Design Renderings & may vary slightly from actual product.

**FEATURES:**

- All Polished Stainless-Steel Bowl w- **Round Corners**
- Body Frame w- **Colour Options:- (1) No. 4 Stainless. (2) Powder Coated White (3) Powder Coated Black. (4) Mixed**
- Quick & Easy to fit Kit for **one Man install.**
- Supplied with **40mm Plug & Waste.** – Watermark
- Supplied with **Tempering Valve. (TV)** – Watermark
- Can be supplied with Thermostatic Mixing Valve (TMV) instead of the Tempering Valve (TV). Will cost more.
- Supplied with **Push On / Off Valve** – Watermark - New concept in Push On Valve for Knee Basins.
- Supplied with **170 mm Gooseneck Spout** – Watermark / WELS rated 3 Star & 7 lpm & WELS Reg. T39425
- 12month warranty on parts.
- **SPLASH-BACK** sold Separately & can be done in Colours **Black Or White.** – Enquire with us about Coloured Prices.

**PACKING Dimensions & Weight** - 55cm x 45 cm x 35 cm Brown Box / 10 kg (Rounded Up) without Splashback.

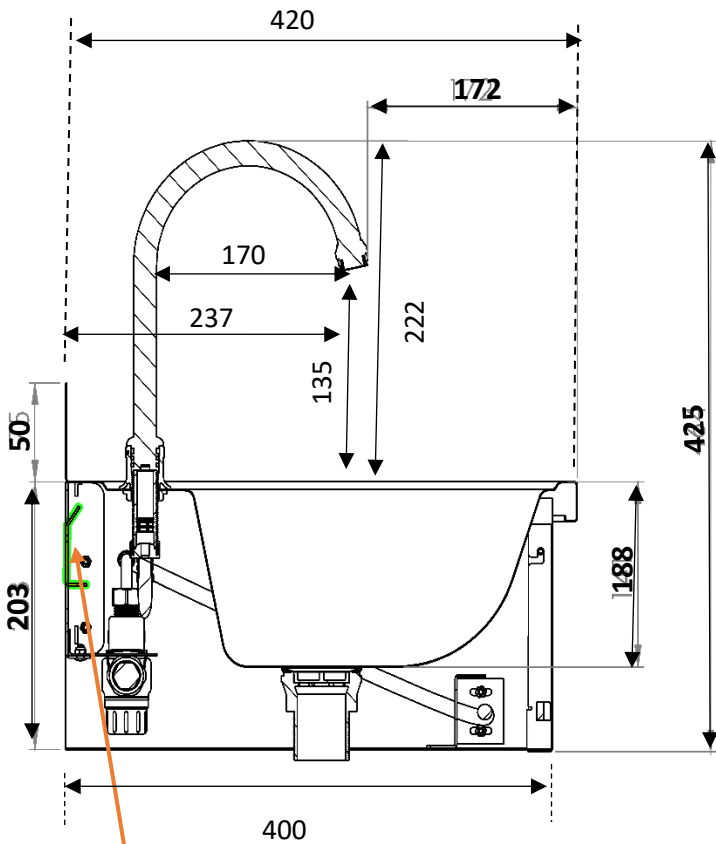
PRODUCT	Part No.s	RRP (w-TV)	To Replace w- TMV add \$ to Price & code from 'TV' to 'TMV'
<b>A) STAINLESS - All Panels</b>	Pt. No. <b>GI-KOB01TV</b>	RRP \$ _____ + GST	Add \$ _____ + GST
<b>B) S/S Push Panel &amp; WHITE Sides</b>	Pt. No. <b>GI-KOB01TV-WS</b>	RRP \$ _____ + GST	Add \$ _____ + GST
<b>C) S/S Push Panel &amp; BLACK Sides</b>	Pt. No. <b>GI-KOB01TV-BS</b>	RRP \$ _____ + GST	Add \$ _____ + GST
<b>D) All WHITE Panels</b>	Pt. No. <b>GI-KOB01TV-W</b>	RRP \$ _____ + GST	Add \$ _____ + GST
<b>E) All BLACK Panels</b>	Pt. No. <b>GI-KOB01TV-B</b>	RRP \$ _____ + GST	Add \$ _____ + GST
<b>F1) Splash Back - S/S No.4</b>	Pt. No. <b>GI-KB-SB-300SS</b>	RRP \$ _____ + GST	Add \$ _____ + GST
<b>F2) Splash Back- Coloured White</b>	Pt. No. <b>GI-KB-SB-300W</b>	RRP \$ ___ P.O.A. ___ + GST	Min. Batch Qty = 5



**GLOBAL**  
TAPWARE

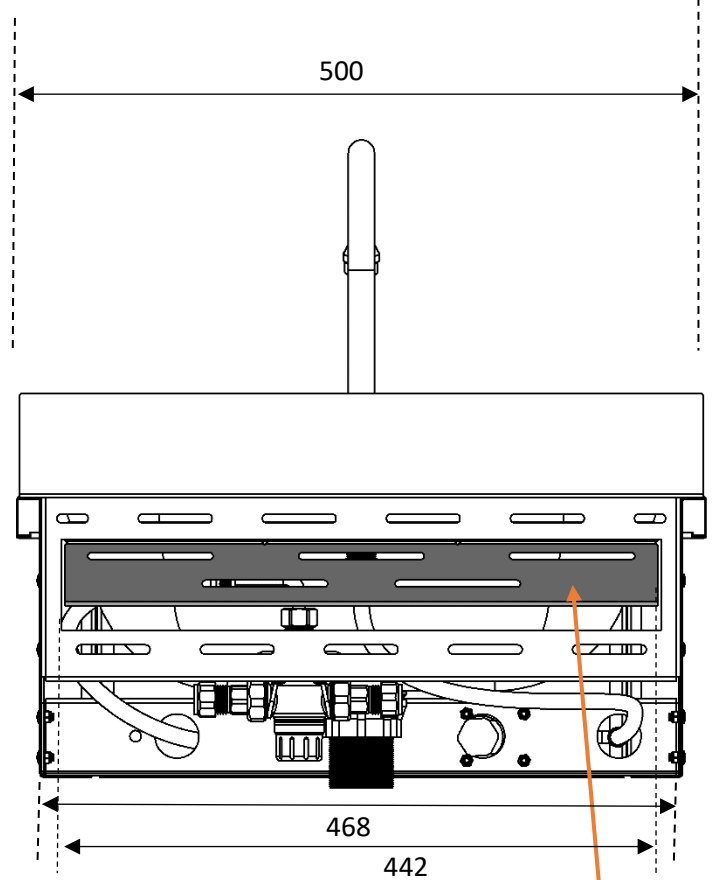


**SIDE VIEW**



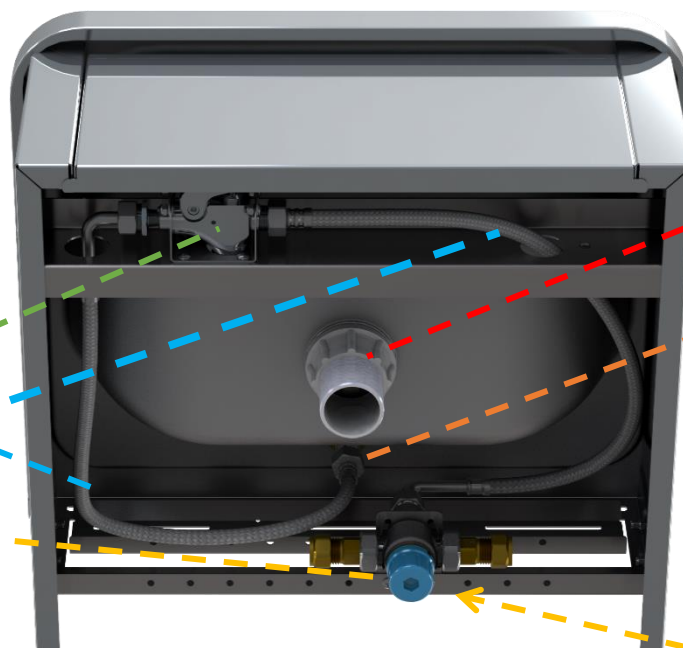
The "Easy Fit Kit"  
Wall Bracket System

**BACK VIEW**



The "Easy Fit Kit"  
Wall Bracket System

**UNDERNEATH VIEW**



**SUPPLIED & FITTED :-**  
Final testing to be done on site.

- 1 - Push ON / OFF Valve.
- 2 - Flexible Hoses x 2
- 3 - Tempering Valve.  
Mix to be set on site

**SUPPLIED but not FITTED:**

- 4 - 40mm Plug & Waste

**SUPPLIED Partly FITTED:**

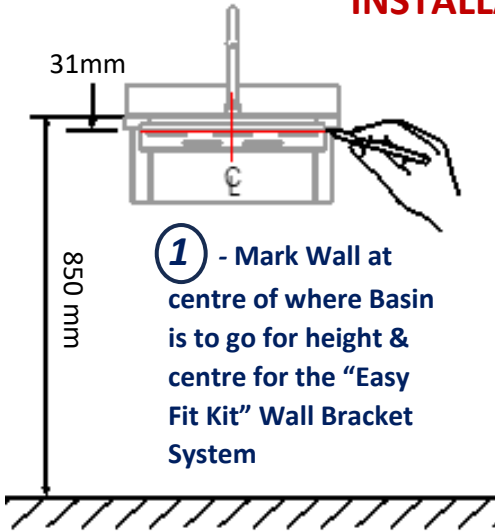
- 5 - Large Gooseneck Spout  
Some Assembly required on top

**NOTE :-** Tempering Valve can be swapped out for a Thermostatic Mixing Valve



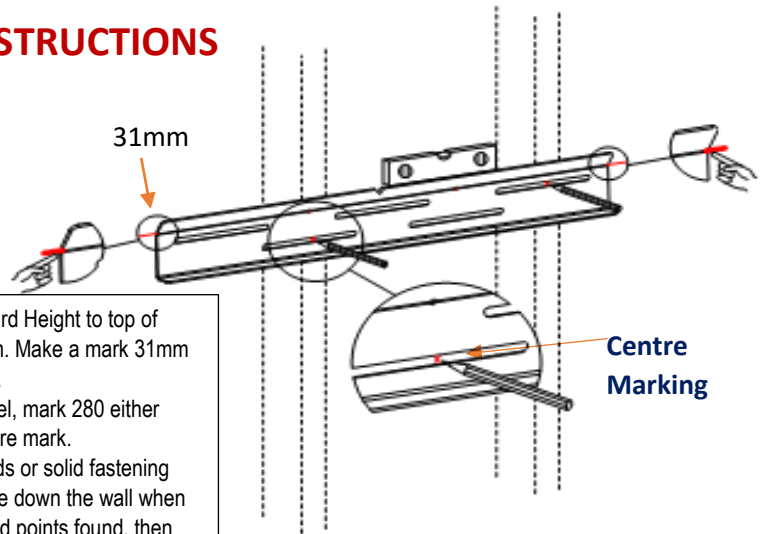


## INSTALLATION INSTRUCTIONS

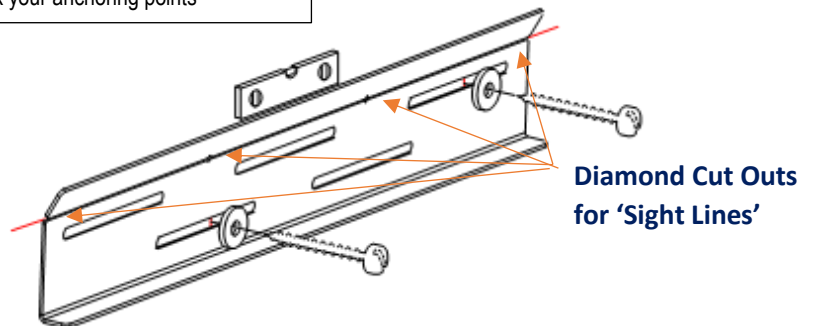


**1** - Mark Wall at centre of where Basin is to go for height & centre for the "Easy Fit Kit" Wall Bracket System

- 1 - The Standard Height to top of basin is 850mm. Make a mark 31mm down from 850.
- 2 - Using a level, mark 280 either side of the centre mark.
- 3 - Locate Studs or solid fastening point. Draw Line down the wall when found. If no solid points found, then use High Quality Anchors that are suitable.
- 4 - Using the slots on the bracket mark your anchoring points

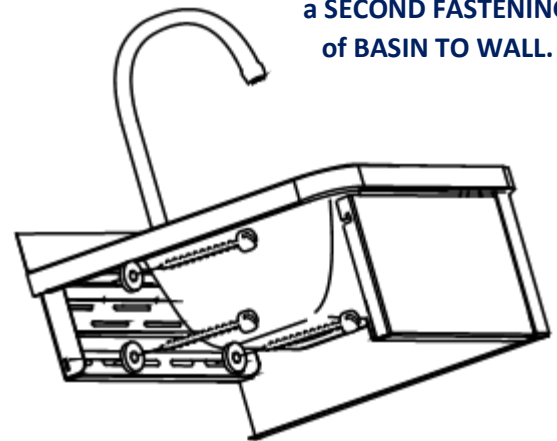
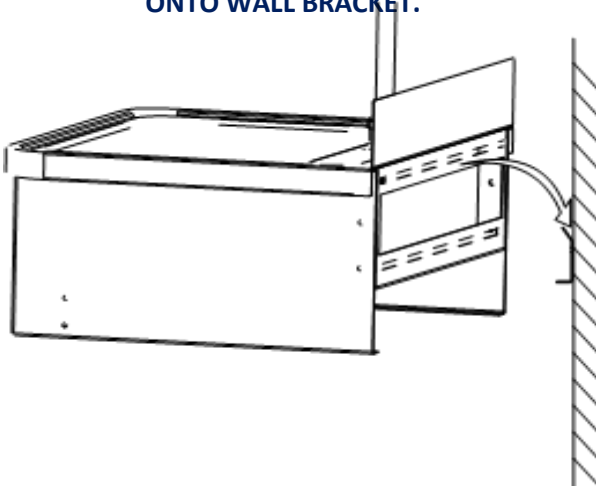


**2** - Use Level for Marking out using "Easy Fit Kit". Use Quality Fastening method & screws. Best into solid wall or plate / noggin.



**3** - PLACE BASIN ONTO WALL BRACKET.

**4** - We Recommend a **SECOND FASTENING** of BASIN TO WALL.



**5 - FINISH OFF:** (A) Install **Plug & Waste**. (B) Connect Water Up To **Tempering Valve (TV)**. (C) **Insert Spout** Into HOUSING & **Tighten GRUB SCREW** up hard to restrict Spout Movement, \*\* Remove Aerator before flushing line. (4a) **Fill Out TV Label** and place on the inside Wall Panel, near the TV. (4b) Fill In **Install Details Sticker** & Stick it inside of the Front push Panel, off to one side.