

Also Available with a
RANGE of SWIVEL Spouts:

A	B	C	D	E
6"	8"	10"	12"	14"



5 sizes of
Gooseneck Spouts
also Available



12" Spout Pt. No. :-
GS02G3012S

Features:

- All metal Components in contact with water are 304 S/S.
- Suit Hot or Cold water.
- Spring Jumper Valve in Hob Tap.
- A Range of STANDARD Spout Sizes are available.
- A Range of GOOSENECK Spouts are available.
- Spout Service Kits available.
- Tap Repair Kits Available.
- **WATERMARKED & WELS** Registered.

WARRANTY:

- 36 Months for Commercial use.

Technical:-

Australian Standards : **Watermarked**

WELS Reg. : **TM41086**
WELS Rated : **3 Stars**
Flow Rate : **9 lpm**

Mounting Hole : **22 - 25mm**
Material : **304 Stainless**
Finish 1 : **Polished**

Working Press. : **500kpa. (NPC)**
Max. Press. rate : **1500kpa.**
Operating Temp : **1 - 80° C.**

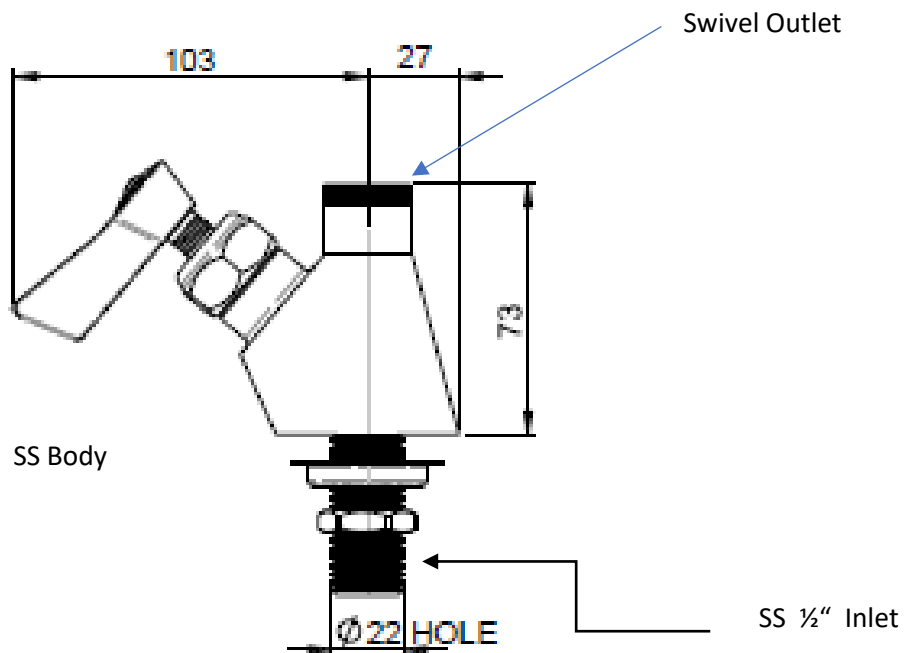


Global Tapware Pty Ltd
E – sales.info@globaltapware.com
P – 07 38 55 2350
P – 1300 85 25 15

W- GLOBALTAPWARE.COM.AU



Must be installed in accordance with the requirements of AS/NZS3500

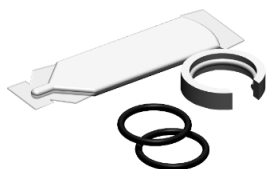


Only one size **PADDLE LEVER** is available - 100mm
All handles on these S/S Taps are a chrome plated cast alloy and may have issue if exposed to some aggressive environments. Replacements available



CROSS HANDLE is available - .
All handles on these S/S Taps are a chrome plated cast alloy and may have issue if exposed to some aggressive environments. Replacements available

Spout Service Kit



Pt. No. **G-SKIT**

Single Hob / Deck Tap Service Kit



Pt. No. **GS03RKC-SS** (cold Turning)