

Also Available as a
SINGLE Swivel Spout
w- End Tap



12" Product Code :- **GS02G3512S**



18" Product Code :- **GS02G3518S**

24" Product Code :- **GS02G3524S**

Features:

- All metal Components in contact with water are 304 S/S.
- Suit Hot or Cold water.
- Spring Jumper Valve in Hob Tap.
- Fixed Jumper On End Tap.
- Either 7" or 12" Double Swivel Arm fitted to Tap body.
- Available in w- 12", 18", 24" Swivel End Tap Spout.
- Spout Service Kits available.
- Tap Repair Kits Available.

WARRANTY:

- 36 Months for Commercial use.

Technical:-

Australian Standards : **Watermarked**

WELS Reg. : **TM41201**

WELS Rated : **3 Stars**

Flow Rate : **9 lpm**

Mounting Hole : **22 - 25mm**

Material : **304 Stainless**

Finish 1 : **Polished**

Working Press. : **500kpa. (NPC)**

Max. Press. rate : **1500kpa.**

Operating Temp : **1 - 80° C.**



Global Tapware Pty Ltd

E – sales.info@globaltapware.com

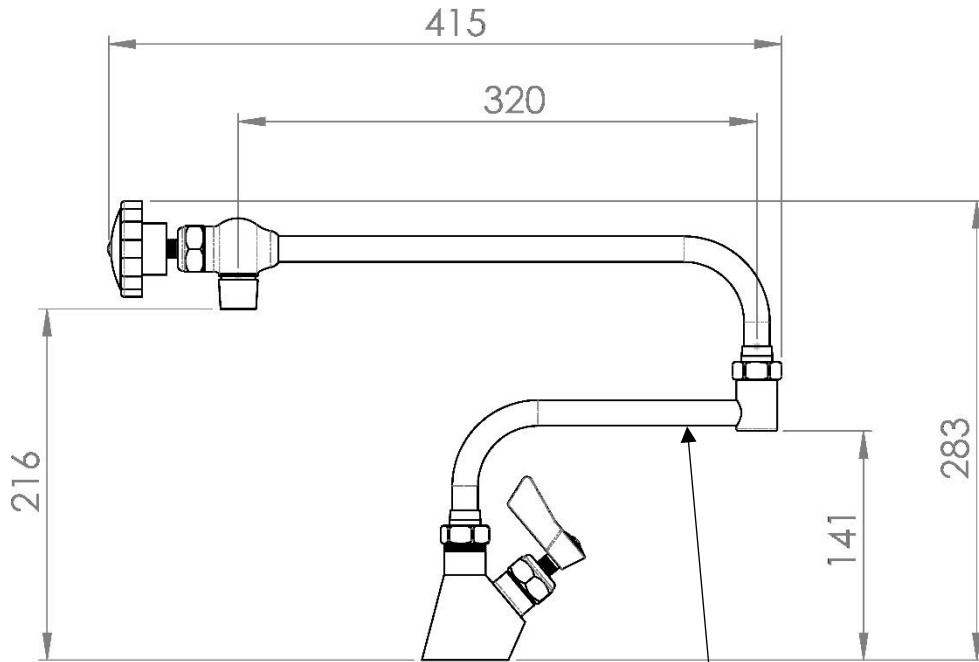
P – 07 38 55 2350

P – 1300 85 25 15

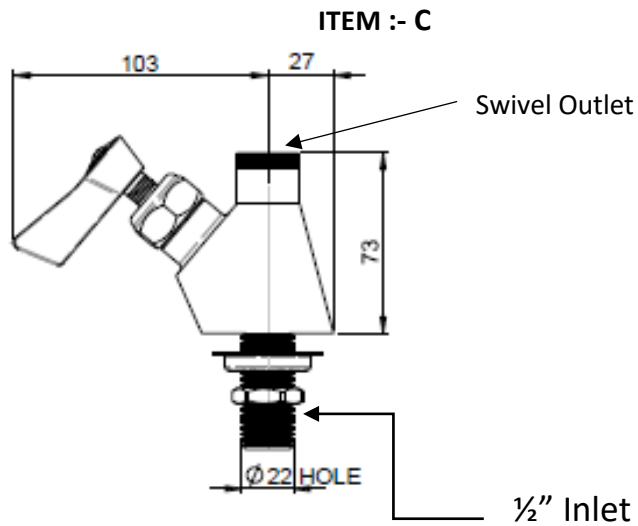
W- **GLOBALTAPWARE.COM.AU**



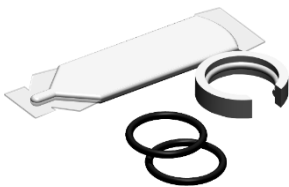
Must be installed in accordance with the requirements of AS/NZS3500



ITEM B:- available in 7" or 12"



Spout Service Kit



Pt. No. **G-SKIT**

Single Deck Tap Service Kit



Pt. No. **GS03RKC-SS**

Spout End Tap Service Kit



Pt. No. **G25RK-SS**