

'Global Stainless™' EXPOSED BREACH WALL TAP w- STANDARD Swivel Spout

Also Available with a
RANGE of SWIVEL Spouts:

A	B	C	D	E
6"	8"	10"	12"	14"



5 sizes of
Gooseneck Spouts
also Available



12" Spout Pt. No. :-
GS15G3012S

Features:

- All metal Components in contact with water are 304 S/S.
- Suit Hot or Cold water.
- Spring Jumper Valve in Hob Tap.
- A Range of STANDARD Spout Sizes are available.
- A Range of GOOSENECK Spouts are available.
- Spout Service Kits available.
- Tap Repair Kits Available.
- **WATERMARKED & WELS** Registered.

WARRANTY:

- 36 Months for Commercial use.

Technical:-

Australian Standards : **Watermarked**

WELS Reg. : **TM40511**
WELS Rated : **3 Stars**
Flow Rate : **9 lpm**

Mounting Hole : **22 - 25mm**
Material : **304 Stainless**
Finish 1 : **Polished**

Working Press. : **500kpa. (NPC)**
Max. Press. rate : **1500kpa.**
Operating Temp : **1 - 80° C.**



Global Tapware Pty Ltd
E – sales.info@globaltapware.com
P – 07 38 55 2350
P – 1300 85 25 15

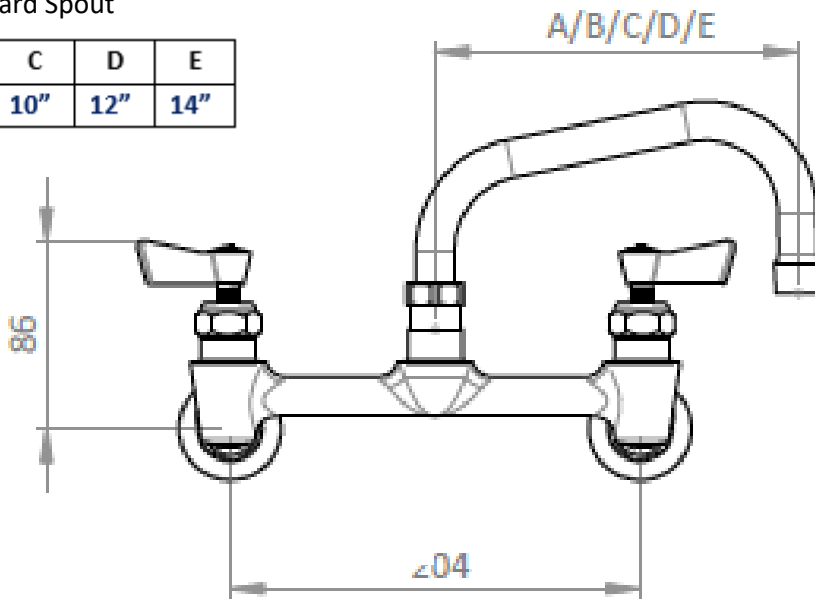
W- GLOBALTAPWARE.COM.AU



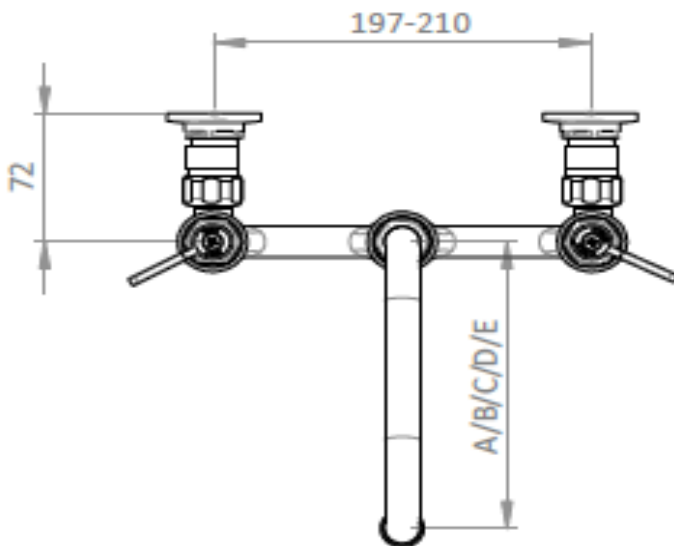
Must be installed in accordance with the requirements of AS/NZS3500

Standard Spout

A	B	C	D	E
6"	8"	10"	12"	14"



25mm Wall Hole x 2



Re **CROSS HANDLE** & Only one size **Paddle Lever** are available -
 All handles on these S/S Taps are a chrome plated cast alloy and may have issue if exposed to some aggressive environments. Replacements available

Spout Service Kit



Exposed Branch Tap Service Kits



Hot Pt. No. GS03BKH-SS

HOT Pt. No. GS03BKH-SS

COLD Pt. No. GS03BKC-SS