



GLOBAL
TAPWARE

CLEANERS SINK

Global iNOX brand

All Products & Brochure Designs / Drawings / Concepts are Copy Right Protected



Details accurate at the time of printing. Dimensions are indicative only and may change without notice, seek confirmation before relying on any dimensions shown.

Our standard '**Cleaners Sink**' features a Polished 304 Stainless-Steel bowl with a S/S Hinged Grate and optional Mounting System - Wall or Adjustable Leg Brackets.

Bowl Features:

- Polished Hinged Grate with Rubber Stoppers.
- Wall or Leg Brackets sold with bowl or separately.
- Supplied with 50mm Plug & Waste Hole.
- Supplied with 50 mm Splash Back
- Add-On Splash Backs available - 300, 450 & 600mm

We can supply with various Tapware Configurations to suit Price & Budgets-see over page

- ✓ Brackets made from 304 S/S 20mm Square Tube.
- ✓ Wall Model has Pre-Drilled holes for wall mounting.
- ✓ Leg Model has 100mm Wall Mount Plate - Pre-Drilled.
- ✓ Leg Model has 50mm Round Adjustable Feet
- ✓ Both Wall & Leg Brackets Sold as pairs.
- ✓ **SIZES: Wall = 400 x 400mm, Leg = 400 x 500mm Adj.**
- ✓ **SPLASH-BACK Panels :-**
560 x 470 or 600 Tall
No. 4 or Mirror S/S



Pt. No.	GI-CSG	\$_____ + GST
	Bowl & Grate Only + 50mm P & W	
Pt. No.	GI-CSG-AL	\$_____ + GST
	w/- Adjustable Legs + 50mm P & W	
Pt. No.	GI-CSG-WB	\$_____ + GST
	w/- Wall Brackets + 50mm P & W	
Pt. No.	GI-CS-WB	\$_____ + GST
	Wall Brackets Only - pair	
Pt. No.	GI-CS-LEGS	\$_____ + GST
	Leg Brackets Only - pair	
Pt. No.	GI-CS-SB-470 (No.4 S/S)	\$_____ + GST
	470mm Tall Splash-Back Panel	
Pt. No.	GI-CS-SB-600 (No.4 S/S)	\$_____ + GST
	600mm Tall Splash-Back Panel	

Ph. 1300 852 515

Ph. 07 3855 2350

Email: sales.info@globaltapware.com

www.globaltapware.com.au

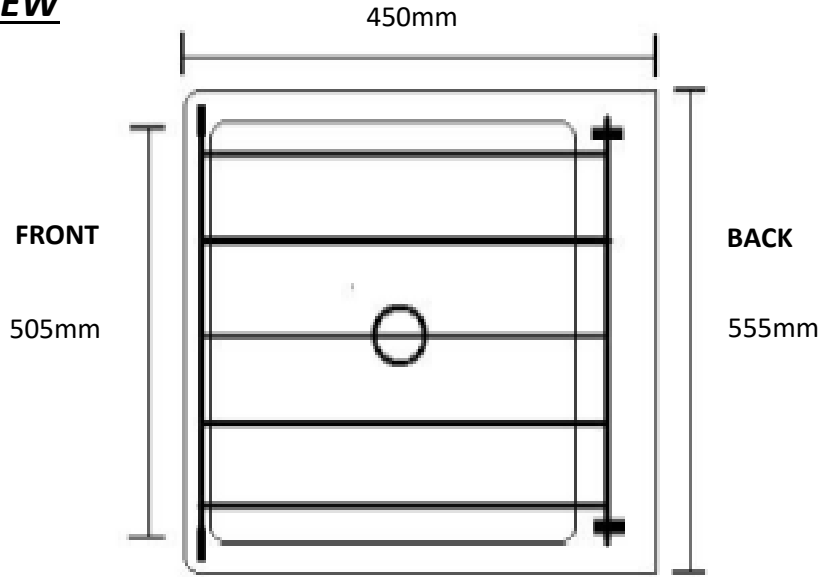


GLOBAL
TAPWARE

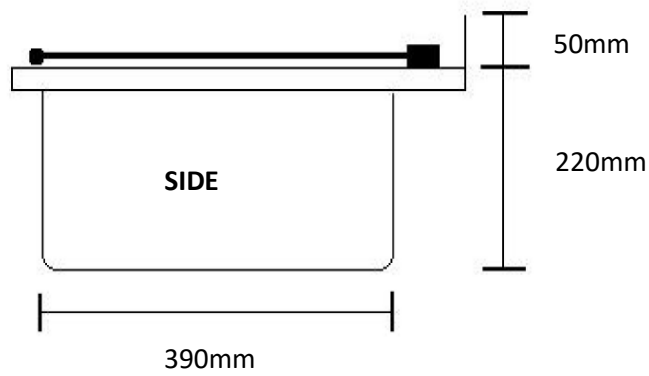
CLEANERS SINK

Global iNOX brand

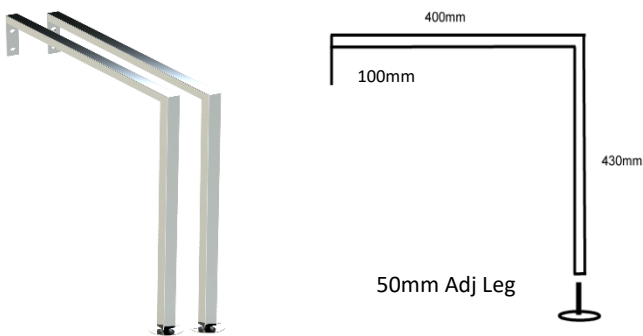
TOP VIEW



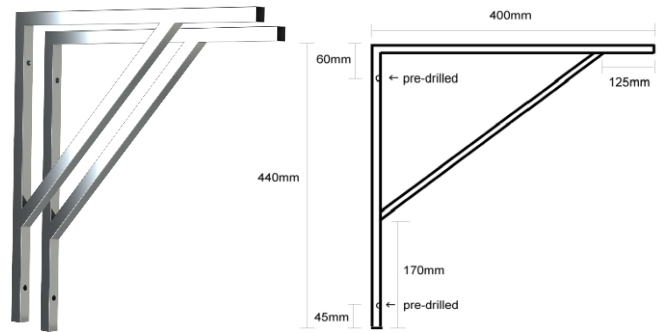
SIDE VIEW



LEG BRACKETS



WALL BRACKETS



MULTIPLE TAPWARE to Suit your requirement & Budget (→ from Quality to budget →)

GS15G3006-CS



GEC13G3008



GEC13SLA150



GEC17BC45 x 2

