

Note – If Requiring the 'Easi-Fit' Bracket instead of the standard 2pair of square tube ones, then change the "WBA" on the Product Code to "WBB"

# HAND BASINS

Global iNOX brand

All Products & Brochure Designs / Drawings / Concepts are Copy Right Protected

## 35mm Centre Tap Hole Basin:-

Pt. No. GI-HB1-35A



## 25mm Centre Tap Hole Basin:-

Pt. No. GI-HB1-25A



## 3 Tap Hole Basin:-

Pt. No. GI-HB1-3TH-A



Our standard '**Hand Basins**' features a Polished 304 Stainless-Steel bowl that come in 3 basic models. :-

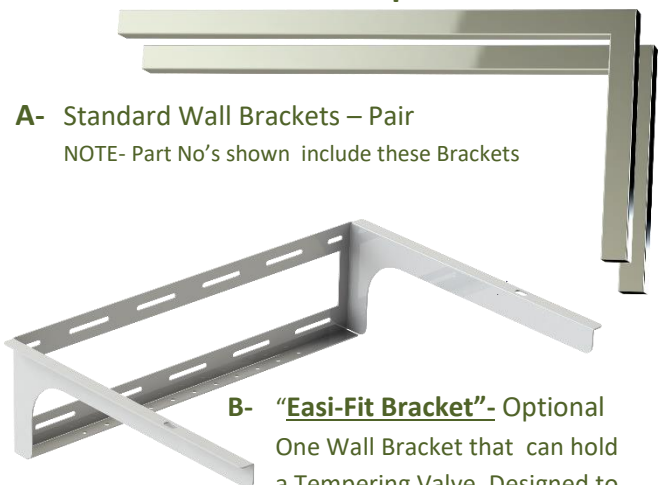
- 1 -35mm Centre Tap Hole.
- 2 -25mm Centre Tap Hole.
- 3 -3 Tap Hole with Overflow.

Then we have a Specially designed Unique "Slim Line" Basin with deep bowl and complies to the 11-litre rule. Followed by our Smaller Corner Bowl.

### Features:

- 304 Grade Polished Stainless Steel.
- Comes with Round Corners
- 13 & 14 Litre Capacity on larger sizes
- Easy Mount to wall.
- Wall Brackets sold with bowl or separately.
- Standard 40mm plastic Plug & Waste provided.
- 50 mm Splash Back.
- Standard range has Centre Tap Holes 25mm or 35mm
- Other tap holes can be punched in other locations as per your drawn request... (allow 1-2 days delay)

## Wall Bracket Options



### A- Standard Wall Brackets – Pair

NOTE- Part No's shown include these Brackets

### B- "Easi-Fit Bracket"- Optional

One Wall Bracket that can hold a Tempering Valve. Designed to fasten onto a Stud somewhere along its length. – 2 pieces.

Ph. 1: 1300 852 515

Ph. 2: 07 3855 2350

Email: sales.info@globaltapware.com

[www.globaltapware.com.au](http://www.globaltapware.com.au)

Details accurate at the time of printing. Dimensions are indicative only and may change without notice, seek confirmation before relying on any dimensions shown.



**SLIM LINE Basin:-**

Pt. No. GI-HB-SL



**CORNER Basin:-**

Pt. No. GI-HB-C



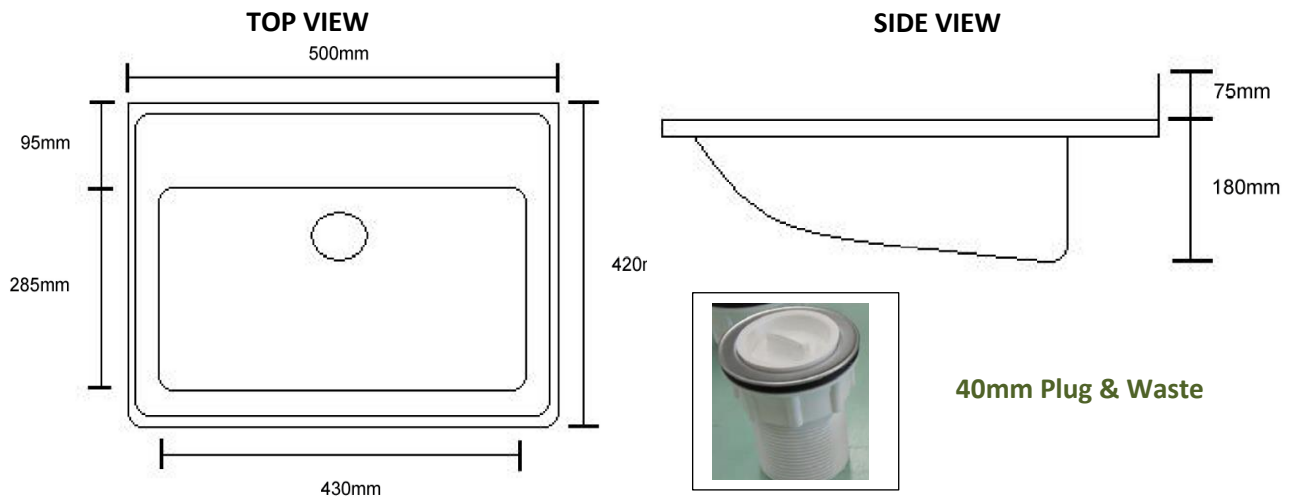
**ROUND BOWL Basin:-**

Pt. No. GI-HB-RB



**Both Basins supplied with Wall Brackets**

**1 & 3 Tap Hole Basins Technical Drawings**



**HAND BASIN PARTS & PRICE LIST**

PART Number	Litres	DESCRIPTION	RRP \$
		<b>Supplied with "Standard" pair of Wall Brackets</b>	
GI-HB1-35-A	13	Hand Basin -Round Corners – 35mm Centre Tap Hole w- 40 P&W + Bkts (A)	\$
GI-HB1-25-A	13	Hand Basin -Round Corners – 25mm Centre Tap Hole w- 40 P&W + Bkts (A)	\$
GI-HB1-3TH-A	13	Hand Basin -Round Corners – 3 Tap Hole w- 40 P&W + Bkts (A)	\$
		<b>Supplied with "EASI-FIT" Wall Bracket</b>	
GI-HB1-25-B	13	Hand Basin -Round Corners – 25mm Centre Tap Hole w- 40 P&W	\$
GI-HB1-35-B	13	Hand Basin -Round Corners – 35mm Centre Tap Hole w- 40 P&W	\$
GI-HB1-3TH-B	13	Hand Basin -Round Corners – 3 Tap Hole w- 40 P&W	\$
		<b>Supplied with "Standard" pair of Wall Brackets</b>	
GI-HB-SL	12.5	Hand Basin - <b>SLIM LINE</b> -Round Corners – 35 Tap Hole w- 40 P&W & Brkts	\$
Details		<b>O/all dims. :-</b> 355 long x 300 wide. <b>Bowl dims.:</b> 250 x 250 x 200 deep, w- 50 SB	
GI-HB-C	n/a	Hand Basin – <b>Corner Mount</b> – No Tap Hole w- 40 P&W & Brackets	\$
Details		<b>O/all dims. :-</b> 360 long x 360 wide. <b>Bowl dims.:</b> 170 round, deep, w- 50 SB	\$
GI-HB-RB	6.2	Hand Basin – <b>ROUND BOWL</b> – No Tap Hole w- 40 P&W & Brackets	
Details		<b>O/all dims. :-</b> 360 long x 360 wide.: - <b>Bowl dim: 303 Dia x 123 deep :- 6.2ltr</b>	
		<b>Brackets for Hand Basins</b>	
GI-HB-WB		Hand Basin Wall Brackets – Pair – Square 25mm Tube	\$
GI-HB-WB-B		Hand Basin Wall Bracket - 2 Piece – <b>EASI-FIT</b>	\$